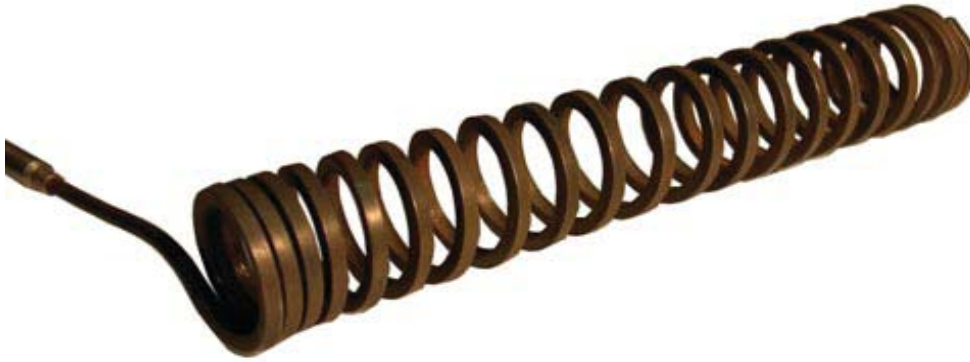


# SQUARE COIL HEATERS



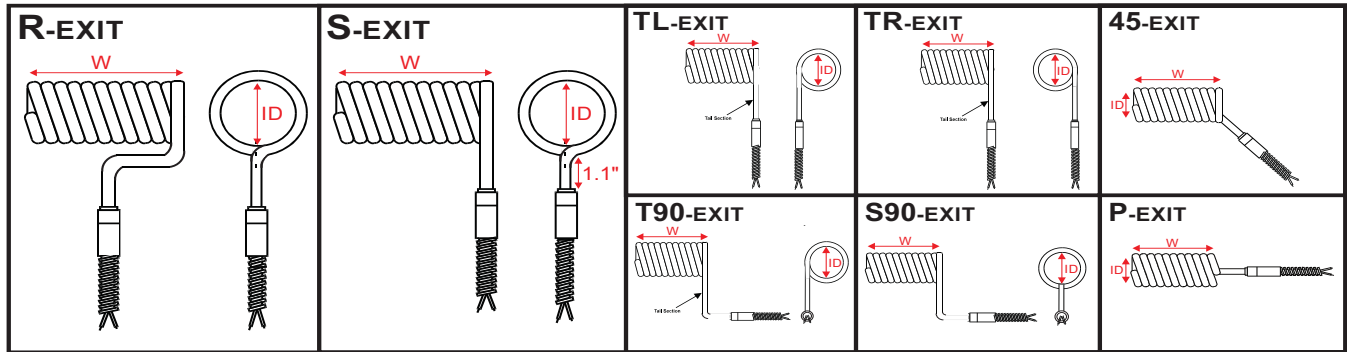
**STANDARD**

STAINLESS STEEL SHEATH  
 39"TEFLON INSULATED LEADS  
 c/c SILICONE COATED F/G SLEEVING  
 FLAT PROFILE FOR EXCELLENT  
 HEAT TRANSFER  
 GROUND WIRE

**OPTIONS**

THERMOCOUPLE "J"  
 EXIT CONFIGURATIONS  
 LEADWIRE PROTECTION  
 GROUND WIRE  
 CUSTOM COLD SECTION  
 CUSTOM LENGTHS

## COIL HEATER EXITS



## SELECTING HEATER LENGTH

**SQUARE COIL 0.13"x0.13" (3.3x3.3mm) - Max Length**

Dia	1"W	2"W	3"W	4"W	5"W
0.500"	15"(387mm)	30"(774mm)	46"(1161mm)	61"(1541mm)	76"(1934mm)
0.750"	21"(539mm)	42"(1079mm)	64"(1618mm)	85"(2157mm)	106"(2696mm)
0.875"	24"(617mm)	49"(1235mm)	73"(1852mm)	97"(2470mm)	122"(3087mm)
1.000"	27"(694mm)	55"(1387mm)	82"(2081mm)	109"(2774mm)	137"(3468mm)
1.250"	33"(848mm)	67"(1696mm)	100"(2544mm)	134"(3392mm)	167"(4240mm)
1.500"	39"(1000mm)	79"(2001mm)	118"(3001mm)	158"(4001mm)	197"(5002mm)
1.750"	45"(1155mm)	91"(2309mm)	136"(3464mm)	182"(4619mm)	227"(5774mm)
2.000"	51"(1307mm)	103"(2614mm)	154"(3921mm)	206"(5228mm)	257"(6536mm)

**FLAT COIL 0.087"x0.165" (2.2x4.2mm) - Max Length**

Dia	1"W	2"W	3"W	4"W	5"W
0.500"	11"(284mm)	22"(568mm)	34"(852mm)	45"(1136mm)	56"(1419mm)
0.750"	16"(405mm)	32"(810mm)	48"(1214mm)	64"(1619mm)	80"(2024mm)
0.875"	18"(465mm)	37"(930mm)	55"(1396mm)	73"(1861mm)	92"(2326mm)
1.000"	21"(526mm)	41"(1051mm)	62"(1577mm)	83"(2103mm)	103"(2628mm)
1.250"	25"(647mm)	51"(1292mm)	76"(1940mm)	102"(2586mm)	127"(3233mm)
1.500"	30"(767mm)	60"(1535mm)	91"(2302mm)	121"(3070mm)	151"(3837mm)
1.750"	35"(888mm)	70"(1777mm)	105"(2665mm)	140"(3554mm)	175"(4442mm)
2.000"	40"(1009mm)	79"(2019mm)	119"(3028mm)	159"(4037mm)	199"(5047mm)

## SQUARE COIL - STOCK STRAIGHT - 0.13"x0.13" (3.3x3.3mm)



**Custom Same Day Coiling**

Length (mm)	Volt	Watts	P/N: no T/C	P/N: with T/C "J"
250	230	125	COH-8R250125	COH-8R250125-J
250	230	175	COH-8R250175	COH-8R250175-J
300	230	150	COH-8R300150	COH-8R300150-J
300	230	225	COH-8R300225	COH-8R300225-J
350	230	175	COH-8R350175	COH-8R350175-J
350	230	250	COH-8R350250	COH-8R350250-J
400	230	200	COH-8R400200	COH-8R400200-J
400	230	300	COH-8R400300	COH-8R400300-J
450	230	225	COH-8R450225	COH-8R450225-J
450	230	350	COH-8R450350	COH-8R450350-J
500	230	250	COH-8R500250	COH-8R500250-J
500	230	400	COH-8R500400	COH-8R500400-J
600	230	300	COH-8R600300	COH-8R600300-J
600	230	450	COH-8R600450	COH-8R600450-J
700	230	350	COH-8R700350	COH-8R700350-J
700	230	500	COH-8R700500	COH-8R700500-J

Length (mm)	Volt	Watts	P/N: no T/C	P/N: with T/C "J"
800	230	400	COH-8R800400	COH-8R800400-J
800	230	600	COH-8R800600	COH-8R800600-J
900	230	450	COH-8R900450	COH-8R900450-J
900	230	700	COH-8R900700	COH-8R900700-J
1000	230	500	COH-8R1000500	COH-8R1000500-J
1000	230	800	COH-8R1000800	COH-8R1000800-J
1200	230	600	COH-8R1200600	COH-8R1200600-J
1200	230	900	COH-8R1200900	COH-8R1200900-J
1400	230	700	COH-8R1400700	COH-8R1400700-J
1400	230	1000	COH-8R14001000	COH-8R14001000-J
1600	230	800	COH-8R1600800	COH-8R1600800-J
1600	230	1100	COH-8R16001100	COH-8R16001100-J
1800	230	900	COH-8R1800900	COH-8R1800900-J
1800	230	1250	COH-8R18001250	COH-8R18001250-J
2000	230	1000	COH-8R20001000	COH-8R20001000-J
2000	230	1400	COH-8R20001400	COH-8R20001400-J

## FLAT COIL - STOCK STRAIGHT - 0.087"x0.165" (2.2x4.2mm)



**Custom  
Same Day  
Coiling**

Length (mm)	Volt	Watts	P/N: no T/C	P/N: with T/C "J"
300	230	175	COH-8F300175	COH-8F300175-J
350	230	210	COH-8F350210	COH-8F350210-J
400	230	250	COH-8F400250	COH-8F400250-J
450	230	280	COH-8F450280	COH-8F450280-J
500	230	315	COH-8F500315	COH-8F500315-J
550	230	350	COH-8F550350	COH-8F550350-J

Length (mm)	Volt	Watts	P/N: no T/C	P/N: with T/C "J"
600	230	385	COH-8F600385	COH-8F600385-J
700	230	450	COH-8F700450	COH-8F700450-J
800	230	525	COH-8F800525	COH-8F800525-J
900	230	600	COH-8F900600	COH-8F900600-J
1000	230	660	COH-8F1000660	COH-8F1000660-J
1200	230	800	COH-8F1200800	COH-8R1200800-J

## DME REPLACEMENT COIL HEATERS - STOCK

Part #	ID	Width	Lead Length	T/C	Volts	Watts	Exit
COH-SSTC-62-90	0.500"	1.450"	36"	YES	240	250	"R"
COH-SSTC-72-90	0.500"	1.950"	36"	YES	240	250	"R"
COH-SSTC-42-90	0.500"	2.50"	36"	YES	240	450	"R"
COH-SSTC-42	0.500"	2.50"	36"	YES	240	450	"S90"
COH-SSTC-32	0.500"	4.625"	36"	YES	240	300	"S90"
COH-SSTC-32-90	0.500"	4.625"	36"	YES	240	300	"S"
COH-SSTC-31	0.500"	4.625"	36"	YES	120	300	"S90"
COH-SSTC-31-90	0.500"	4.625"	36"	YES	120	300	"S"
COH-SCH003	0.625"	0.975"	42"	NO	240	225	
COH-SCH0081	0.625"	2"	36"	YES	240	300	
COH-SCH0082	0.625"	2.5"	36"	YES	240	350	
COH-SCH0083	0.625"	3"	36"	YES	240	400	
COH-SCH0084	0.625"	3.5"	36"	YES	240	425	
COH-SCH0085	0.625"	4"	36"	YES	240	500	
COH-SCH0086	0.625"	5"	36"	YES	240	500	
COH-SCH0087	0.625"	6"	36"	YES	240	550	
COH-SCH0103	0.750"	1.0"	36"	NO	240	125	
COH-SCH0104	0.750"	1.0"	72"	NO	240	125	
COH-SCH0105	0.750"	1.0"	36"	NO	240	250	
COH-SCH0106	0.750"	1.0"	72"	NO	240	250	
COH-SCH0107	0.750"	1.0"	36"	YES	240	125	
COH-SCH0108	0.750"	1.0"	36"	NO	240	250	
COH-SCH3142	0.750"	1.0"	36"	YES	240	315	
COH-SCH1060	0.750"	1.594"	36"	YES	240	250	"R"
COH-SCH1061	0.750"	2.094"	36"	YES	240	300	"R"
COH-SCH2061	0.750"	2.094"	36"	YES	240	300	"R"

Part #	ID	Width	Lead Length	T/C	Volts	Watts	Exit
COH-SCH3242	0.750"	2.44"	36"	YES	240	315	
COH-SCH1062	0.750"	2.594"	36"	YES	240	350	"R"
COH-SCH2062	0.750"	2.594"	36"	YES	240	350	"R"
COH-SCH1063	0.750"	3.094"	36"	YES	240	400	"R"
COH-SCH2063	0.750"	3.094"	36"	YES	240	400	"R"
COH-SCH1064	0.750"	3.594"	36"	YES	240	425	"R"
COH-SCH2064	0.750"	3.594"	36"	YES	240	425	"R"
COH-SCH1065	0.750"	4.594"	36"	YES	240	500	"R"
COH-SCH2065	0.750"	4.594"	36"	YES	240	500	"R"
COH-SCH1066	0.750"	5.594"	36"	YES	240	500	"R"
COH-SCH2066	0.750"	5.594"	36"	YES	240	500	"R"
COH-SCH0109	0.875"	1.0"	36"	NO	240	125	
COH-SCH0110	0.875"	1.0"	36"	NO	240	250	
COH-SCH0088	0.875"	2.125"	36"	YES	240	400	
COH-SCH0089	0.875"	2.624"	36"	YES	240	450	
COH-SCH0090	0.875"	3.125"	36"	YES	240	550	
COH-SCH0091	0.875"	3.625"	36"	YES	240	700	
COH-SCH0092	0.875"	4.125"	36"	YES	240	800	
COH-SCH0093	0.875"	5.125"	36"	YES	240	900	
COH-SCH0094	0.875"	6.125"	36"	YES	240	1000	
COH-SCH0095	0.875"	7.125"	36"	YES	240	1100	
COH-SCH0096	1.500"	4.00"	36"	YES	240	1000	
COH-SCH0097	1.500"	5.00"	36"	YES	240	1000	
COH-SCH0098	1.500"	6.00"	36"	YES	240	1100	
COH-SCH0099	1.500"	7.0"	36"	YES	240	1100	

## MICRO COIL HEATER

Standard Clamp



Axial Clamp

### STANDARD

78"TEFLON INSULATED LEADS  
2"COLD SECTION  
SQUARE PROFILE FOR EXCELLENT HEAT TRANSFER

### OPTIONS

THERMOCOUPLE "J"  
EXIT CONFIGURATIONS  
LEADWIRE PROTECTION  
GROUND WIRE  
CUSTOM COLD SECTION  
CUSTOM LENGTHS

Part #	Coil ID	Length	Lead Length	Watts	Axial Clamp	T/C J
COH712B125	0.750"	1.20"	39"	125	NO	Option
COH712B149	0.750"	1.20"	39"	149	NO	Option
COH712B250	0.750"	1.20"	39"	250	NO	Option
COH712B268	0.750"	1.20"	39"	268	NO	Option
COH712B125	0.750"	1.20"	39"	125	YES	Option
COH712B149	0.750"	1.20"	39"	149	YES	Option
COH712B250	0.750"	1.20"	39"	250	YES	Option
COH712B268	0.750"	1.20"	39"	268	YES	Option