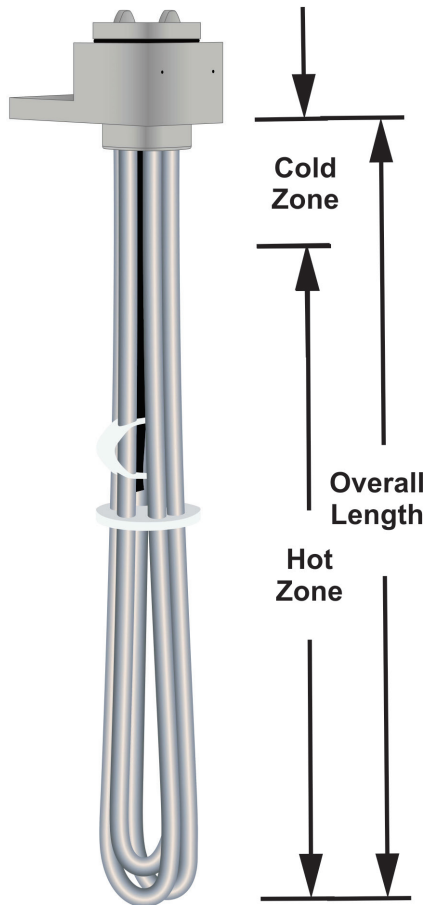


3 ELEMENT PTFE HEATERS



INFORMATION

- Fluoropolymer (PTFE) heaters are an excellent choice for heating Aqueous acid, alkaline, anodizing and pickling solutions up to 212F (100 C).
- Offers thick gauge stainless steel tubular elements covered with heavy wall fluoropolymer (PTFE) reducing permeation, eliminating the need for gas purge systems. This product is an excellent choice for heating electroless chemistries – not for use in Chromic Acid.

FEAUTRES

- PTFE sleeved 304 stainless elements inert to most solutions up to 212°F (100°C).
- Low watt density design 10 watts/square inch (1.5w/cm²).
- Vapor resistant, flame retardant polypropylene terminal enclosure with 3 ft (.9m) flexible Teflon liquid tight conduit.
- Grounded internal metal element and built in thermal protector. Replaceable P1 protector standard for solutions up to 180°F(82°C).



PROTECTOR / FUSE OPTIONS

CODE	TYPE OF FUSE	DESCRIPTION
P1	REPLACEABLE	Standard for solutions up to 190°F (88°C)
P2	RESETTABLE	For solutions up to 190°F (88°C)
P8	RESETTABLE	For solutions up to 210°F (99°C)
P3	RESETTABLE	For solutions up to 250°F (121°C)

STANDARD PARTS				
MPI P/N	WATTS	VOLTS	HOT ZONE	OVERALL LENGTH
IM-3HX1117- **	1000 W	120 V	10 "254 mm	17 "432 mm
IM-3HX1217- **	1000 W	240 V	10 "254 mm	17 "432 mm
IM-3HX1.5123- **	1500 W	120 V	16 "406 mm	23 "584 mm
IM-3HX1.5223- **	1500 W	240 V	16 "406 mm	23 "584 mm
IM-3HX1.5423- **	1500 W	480 V	16 "406 mm	23 "584 mm
IM-3HX2229- **	2000 W	240 V	22 "559 mm	29 "737 mm
IM-3HX2429- **	2000 W	480 V	22 "559 mm	29 "737 mm
IM-3HX3235- **	3000 W	240 V	29 "737 mm	35 "889 mm
IM-3HX3435- **	3000 W	480 V	29 "737 mm	35 "889 mm
IM-3HX4247- **	4000 W	240 V	39 "991 mm	47 "1194 mm
IM-3HX4447- **	4000 W	480 V	39 "991 mm	47 "1194 mm
IM-3HX5259- **	5000 W	240 V	48 "1219 mm	59 "1499 mm
IM-3HX5459- **	5000 W	480 V	48 "1219 mm	59 "1499 mm
IM-3HX6268- **	6000 W	240 V	56 "1422 mm	68 "1727 mm
IM-3HX6468- **	6000 W	480 V	56 "1422 mm	68 "1727 mm

3-phase standard, Single Phase Available. ****Specify Protector / Fuse**

3-4 Week Lead Time for Standard & Custom Products!

ORDER CODE

IM-3HX XX X XX - XX						
SERIES	WATTAGE	VOLTAGE	OVERALL LENGTH	PHASE	TYPE OF PROTECTOR	WIRE & CONDUIT LENGTH
3HX - 3 element PTFE sheathed	1 1000W	1 120V	17 1kW	3 phase (std), No designator	REPLACEABLE FUSE	blank - 36" TEFLON CONDUIT
	1.5 1500W	2 240V	23 1.5kW		P1(std)- SOLUTIONS UP TO 190°F	
	2 2000W	3 380V	29 2kW	1 = Single Phase	RESETTABLE FUSE	SPECIFY LENGTH - EX. X84 = 84" TEFLON CONDUIT
	3 3000W	4 480V	35 3kW		P2 - SOLUTIONS UP TO 190°F	
	4 4000W	5 415V	47 4kW		P8 - SOLUTIONS 190°F TO 210°F	
	5 5000W	6 600V	59 5kW		P3 - SOLUTIONS 210°F TO 250°F	
	6 6000W	7 400V	68 6kW		EX. IM-3HX3535-1-P3 3 ELEMENT PTFE HEATER, 3kW, 415V, Single Phase, 35" OAL, P3 Resettable Fuse for Solutions from 210degF to 250degF, 36" Teflon Conduit	
		8 208V				
	9 220V					
	0 200V					