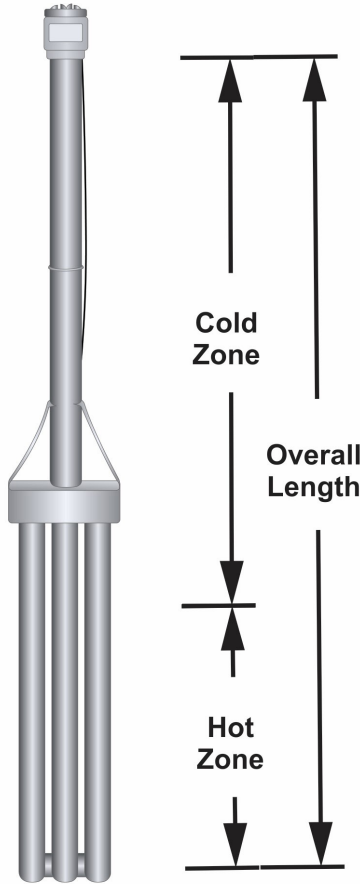


DEEP TANK TRIPLE METAL HEATER



**INFORMATION**

- Durable, efficient chemical heater
- Suitable for use in deep tanks
- Made of:
  - Steel
  - 304 stainless steel
  - 316 stainless steel
  - Titanium
- Consult solution recommendation chart with chemical supplier for proper sheath material selection
- Can be used in three phase or single phase systems
- Wattage range: 1800-54000 watts
- Voltages: 240-480

**FEAUTRES**

- Heavy wall metal sheath available in:
  - Steel
  - 304 stainless steel
  - 316 stainless steel
  - Titanium
- High watt density of up to 35 watts/square inch (5.4 w/cm<sup>2</sup>)
- Terminal enclosure made of vapor resistant, flame retardant polypropylene with 3 ft (.9m) flexible Teflon liquid tight conduit
- Grounded construction and built-in thermal protector
- Replaceable P1 protector included for solutions up to 180°F (82°C)



**PROTECTOR / FUSE OPTIONS**

CODE	TYPE OF FUSE	DESCRIPTION
P2	RESETTABLE	For solutions up to 180°F (82°C)
P6	RESETTABLE	For solutions from 180 to 230°F (82 to 110°C)

## STANDARD PARTS

STEEL	304SS	316SS	TITANIUM	WATTS	VOLTS	HOT ZONE
IM-3VP18236-R*-**	IM-3VF18236-R*-**	IM-3VS18236-R*-**	IM-3VT18236-R*-**	18,000 W	240 V	36 "914 mm
IM-3VP18436-R*-**	IM-3VF18436-R*-**	IM-3VS18436-R*-**	IM-3VT18436-R*-**	18,000 W	480 V	36 "914 mm
IM-3VP24244-R*-**	IM-3VF24244-R*-**	IM-3VS24244-R*-**	IM-3VT24244-R*-**	24,000 W	240 V	44 "1118 mm
IM-3VP24444-R*-**	IM-3VF24444-R*-**	IM-3VS24444-R*-**	IM-3VT24444-R*-**	24,000 W	480 V	44 "1118 mm
IM-3VP27450-R*-**	IM-3VF27450-R*-**	IM-3VS27450-R*-**	IM-3VT27450-R*-**	27,000 W	480 V	50 "1270 mm
IM-3VP30455-R*-**	IM-3VF30455-R*-**	IM-3VS30455-R*-**	IM-3VT30455-R*-**	30,000 W	480 V	55 "1397 mm
IM-3VP36464-R*-**	IM-3VF36464-R*-**	IM-3VS36464-R*-**	IM-3VT36464-R*-**	36,000 W	480 V	64 "1626 mm
IM-3VP45477-R*-**	IM-3VF45477-R*-**	IM-3VS45477-R*-**	IM-3VT45477-R*-**	45,000 W	480 V	77 "1956 mm
IM-3VP48482-R*-**	IM-3VF48482-R*-**	IM-3VS48482-R*-**	IM-3VT48482-R*-**	48,000 W	480 V	82 "2083 mm
IM-3VP54491-R*-**	IM-3VF54491-R*-**	IM-3VS54491-R*-**	IM-3VT54491-R*-**	54,000 W	480 V	91 "2311 mm

3-phase standard, single phase available. \* Specify Cold Zone / Riser Height. \*\*Specify Protector / Fuse

## 3-4 Week Lead Time for Standard & Custom Products!

### ORDER CODE

IM-3VX	XX	X	XX	-	XXX	-	XX
SERIES	WATTAGE	VOLTAGE	HOT ZONE LENGTH (in)	RISER LENGTH	OPTIONS	TYPE OF PROTECTOR	
3VP Steel	18 18000W	2 240V	30 18kW	Specify custom lengths, not to exceed tank depth Ex : -R48 = 48"	No Designator = 3 Phase Power (std) -1 = Single Phase Power	<b>RESETTABLE FUSE</b>  (Additional control components required)  <b>P2 - SOLUTIONS UP TO 180°F</b> <b>P6 - FOR 180°F TO 230°F</b>	
3VF 304 Stainless Steel	24 24000W	3 380V	37 24kW				
3VS 316 Stainless Steel	27 27000W	4 480V	44 27kW				
3VT Titanium	30 30000W	5 415V	49 30kW				
	36 36000W	6 600V	58 36kW				
	45 45000W	7 400V	66 45kW				
	48 48000W	8 208V	70 48kW				
	54 54000W	9 220V	78 54kW				
		0 200V					

#### WIRE & CONDUIT LENGTH

blank -  
36" TEFLON CONDUIT

#### SPECIFY LENGTH

- EX. X84 = 84" TEFLON CONDUIT

EX. IM-3VT36658-R48-P6 DEEP TANK TRIPLE METAL Immersion Heater, 36kW, 600V, 58" Hot Zone, 48" Riser Length, P6 Resettable Fuse for Solutions up to 230degF, 36" Teflon Conduit

1inch = 25.4mm