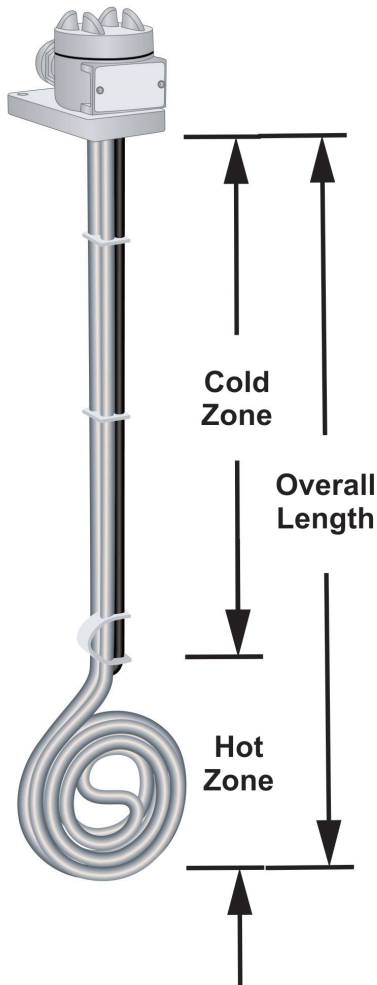


LOW PROFILE PTFE HEATERS



INFORMATION

- Fluoropolymer (PTFE) heaters are an excellent choice for heating Aqueous acid, alkaline, anodizing and pickling solutions up to 212F (100 C).
- Offers thick gauge stainless steel tubular elements covered with heavy wall fluoropolymer (PTFE) reducing permeation, eliminating the need for gas purge systems. This product is an excellent choice for heating electroless chemistries – not for use in Chromic Acid.

FEAUTRES

- PTFE sleeved 304 stainless elements inert to most solutions up to 212°F (100°C).
- Low watt density design 10 watts/square inch (1.5w/cm²).
- Vapor resistant, flame retardant polypropylene terminal enclosure with 3 ft (.9m) flexible Teflon liquid tight conduit.
- Grounded internal metal element and built in thermal protector. Replaceable P1 protector standard for solutions up to 180°F(82°C).



PROTECTOR / FUSE OPTIONS

CODE	TYPE OF FUSE	DESCRIPTION
P1	REPLACEABLE	Standard for solutions up to 190°F (88°C)
P4	REPLACEABLE	For solutions from 190°F to 220°F (88°C to 99°C)
P2	RESETTABLE	For solutions up to 190°F (88°C)
P8	RESETTABLE	For solutions up to 210°F (99°C)
P3	RESETTABLE	For solutions up to 250°F (121°C)

STANDARD PARTS

MPI P/N	WATTS	VOLTS	HOT ZONE	OVERALL LENGTH	DIAMETER	MAX COLD ZONE
IM-HXF5105-14- **	500 W	120 V	6 "152 mm	14 "356 mm	5 "127 mm	36 "914 mm
IM-HXF5205-14- **	500 W	240 V	6 "152 mm	14 "356 mm	5 "127 mm	36 "914 mm
IM-HXF1106-14- **	1000 W	120 V	7 "178 mm	14 "356 mm	6 "152 mm	36 "914 mm
IM-HXF1206-14- **	1000 W	240 V	7 "178 mm	14 "356 mm	6 "152 mm	36 "914 mm
IM-HXF2108-17- **	2000 W	120 V	9 "229 mm	17 "432 mm	8 "203 mm	35 "889 mm
IM-HXF2208-17- **	2000 W	240 V	9 "229 mm	17 "432 mm	8 "203 mm	35 "889 mm
IM-HXF2408-17- **	2000 W	480 V	9 "229 mm	17 "432 mm	8 "203 mm	35 "889 mm
IM-HXF3209-23- **	3000 W	240 V	10 "254 mm	23 "584 mm	9 "229 mm	35 "889 mm
IM-HXF3409-23- **	3000 W	480 V	10 "254 mm	23 "584 mm	9 "229 mm	35 "889 mm
IM-HXF4211-29- **	4000 W	240 V	12 "305 mm	29 "737 mm	11 "279 mm	35 "889 mm
IM-HXF4411-29- **	4000 W	480 V	12 "305 mm	29 "737 mm	11 "279 mm	35 "889 mm
IM-HXF5212-35- **	5000 W	240 V	13 "330 mm	35 "889 mm	12 "305 mm	31 "787 mm
IM-HXF5412-35- **	5000 W	480 V	13 "330 mm	35 "889 mm	12 "305 mm	31 "787 mm
IM-HXF6213-40- **	6000 W	240 V	14 "356 mm	40 "1016 mm	13 "330 mm	25 "635 mm
IM-HXF6413-40- **	6000 W	480 V	14 "356 mm	40 "1016 mm	13 "330 mm	25 "635 mm

Single phase only. ****Specify Protector / Fuse**

3-4 Week Lead Time for Standard & Custom Products!

ORDER CODE

IM-HXF	XX	X	XX	-	XX	-	XX
SERIES	WATTAGE	VOLTAGE	DIAMETER / HOT ZONE (in)	OVERALL LENGTH	TYPE OF PROTECTOR	WIRE & CONDUIT LENGTH	
HXF - PTFE	.5 500W	1 120V	05 0.5kW	14 0.5kW	REPLACEABLE FUSE	blank - 36" TEFLON CONDUIT	
	1 1000W	2 240V	06 1kW	14 1kW	P1 _(std) - SOLUTIONS UP TO 190°F		
	2 2000W	3 380V	08 2kW	17 2kW	P4 - SOLUTIONS 190°F TO 220°F	SPECIFY LENGTH - EX. X84 = 84" TEFLON CONDUIT	
	3 3000W	4 480V	09 3kW	23 3kW	RESETTABLE FUSE		
	4 4000W	5 415V	11 4kW	29 4kW	P2 - SOLUTIONS UP TO 190°F		
	5 5000W	6 600V	12 5kW	35 5kW	P8 - SOLUTIONS UP TO 210°F		
	6 6000W	7 400V	13 6kW	40 6kW	P3 - SOLUTIONS UP TO 250°F		
		8 208V					
		9 220V					
		0 200V					

Specify Custom Lengths
 EX. IM-HXF6813-40-P2 LOW PROFILE PTFE Immersion Heater, 6kW, 208V, 13" Hot Zone, 40" Overall Length, P2 Resettable Fuse for Solutions up to 190degF, 36" Teflon Conduit