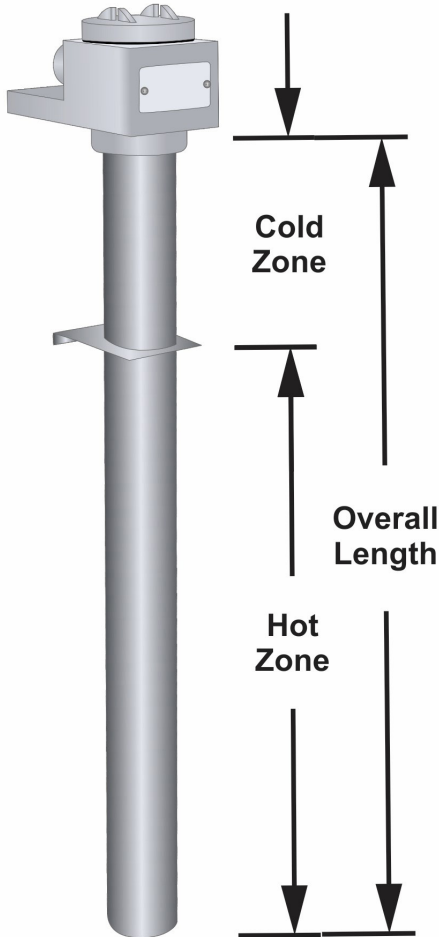


METAL OVER THE SIDE



**INFORMATION**

- Suitable for use in most aqueous alkaline solutions, plating, and phosphate tanks
- Check with chemical supplier for proper sheath material selection
- Single or 3 Phase Over the Side chemical heater
- Durable and efficient
- Available in steel, 304 stainless steel, 316 stainless steel, and titanium material options

**FEAUTRES**

- The heavy wall metal sheaths come in steel, 304 stainless steel, 316 stainless steel, and titanium options.
- These heaters have watt densities of up to 35 watts per square inch (5.4 w/cm<sup>2</sup>).
- The terminal enclosure is made of vapor-resistant, flame-retardant polypropylene and comes with a 3-ft (0.9-m) flexible teflon liquid-tight conduit.
- The construction is grounded and includes a built-in thermal protector.
- The standard replaceable P1 protector is suitable for solutions up to 180°F (82°C).



**PROTECTOR / FUSE OPTIONS**

CODE	TYPE OF FUSE	DESCRIPTION
P1	REPLACEABLE	Standard for solutions up to 180°F (82°C)
P4	REPLACEABLE	For solutions from 180 to 230°F (82 to 110°C)
P5	REPLACEABLE	For solutions from 230 to 300°F (110 to 150°C)
P2	RESETTABLE	For solutions up to 180°F (82°C)
P6	RESETTABLE	For solutions from 180 to 230°F (82 to 110°C)
P7	RESETTABLE	For solutions from 230 to 300°F (110 to 150°C)

## STANDARD PARTS

STEEL	304SS	316SS	TITANIUM	WATTS	VOLTS	HOT ZONE	OVERALL LEGTH
IM-P1111-**	IM-F1111-**	IM-S1111-**	IM-T1111-**	1000 W	120 V	6 "152 mm	11 "279 mm
IM-P1211-**	IM-F1211-**	IM-S1211-**	IM-T1211-**	1000 W	240 V	6 "152 mm	11 "279 mm
IM-P2217-**	IM-F2217-**	IM-S2217-**	IM-T2217-**	2000 W	240 V	10 "254 mm	17 "432 mm
IM-P2417-**	IM-F2417-**	IM-S2417-**	IM-T2417-**	2000 W	480 V	10 "254 mm	17 "432 mm
IM-P3223-**	IM-F3223-**	IM-S3223-**	IM-T3223-**	3000 W	240 V	16 "406 mm	23 "584 mm
IM-P3423-**	IM-F3423-**	IM-S3423-**	IM-T3423-**	3000 W	480 V	16 "406 mm	23 "584 mm
IM-P4229-**	IM-F4229-**	IM-S4229-**	IM-T4229-**	4000 W	240 V	20 "508 mm	29 "737 mm
IM-P4429-**	IM-F4429-**	IM-S4429-**	IM-T4429-**	4000 W	480 V	20 "508 mm	29 "737 mm
IM-P5235-**	IM-F5235-**	IM-S5235-**	IM-T5235-**	5000 W	240 V	25 "635 mm	35 "889 mm
IM-P5435-**	IM-F5435-**	IM-S5435-**	IM-T5435-**	5000 W	480 V	25 "635 mm	35 "889 mm
IM-P6240-**	IM-F6240-**	IM-S6240-**	IM-T6240-**	6000 W	240 V	30 "762 mm	40 "1016 mm
IM-P6440-**	IM-F6440-**	IM-S6440-**	IM-T6440-**	6000 W	480 V	30 "762 mm	40 "1016 mm
IM-P8247-**	IM-F8247-**	IM-S8247-**	IM-T8247-**	8000 W	240 V	37 "940 mm	47 "1194 mm
IM-P8447-**	IM-F8447-**	IM-S8447-**	IM-T8447-**	8000 W	480 V	37 "940 mm	47 "1194 mm
IM-P9254-**	IM-F9254-**	IM-S9254-**	IM-T9254-**	9000 W	240 V	44 "1118 mm	54 "1372 mm
IM-P9454-**	IM-F9454-**	IM-S9454-**	IM-T9454-**	9000 W	480 V	44 "1118 mm	54 "1372 mm
IM-P10259-**	IM-F10259-**	IM-S10259-**	IM-T10259-**	10000 W	240 V	49 "1245 mm	59 "1499 mm
IM-P10459-**	IM-F10459-**	IM-S10459-**	IM-T10459-**	10000 W	480 V	49 "1245 mm	59 "1499 mm
IM-P12468-**	IM-F12468-**	IM-S12468-**	IM-T12468-**	12,000 W	480 V	58 "1473 mm	68 "1727 mm

\*Single phase standard, 3-phase available. \*\*Specify Protector / Fuse

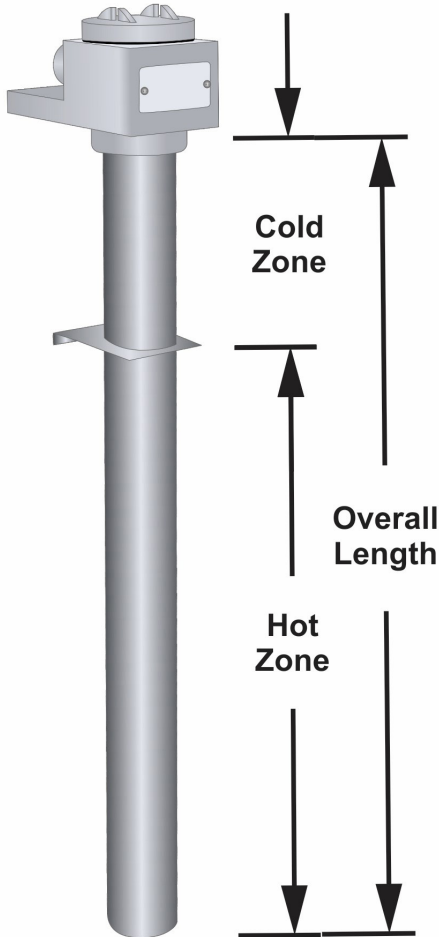
## 3-4 Week Lead Time for Standard & Custom Products!

## ORDER CODE

IM-X	XX	X	XX	-	XX	
SERIES	WATTAGE	VOLTAGE	OVERALL LENGTH	PHASE	TYPE OF PROTECTOR	WIRE & CONDUIT LENGTH
P Steel	1 1000	1 120V	11 1kW	No Designator = Single Phase Power (std)	REPLACEABLE FUSE	blank - 36" TEFLON CONDUIT
F 304 stainless steel	2 2000	2 240V	17 2kW		P1 <sub>(std)</sub> - SOLUTIONS UP TO 180°F	
S 316 stainless steel	3 3000	3 380V	23 3kW	-3 = Three Phase Power	P4 - SOLUTIONS UP TO 230°F	SPECIFY LENGTH - EX. X84 = 84" TEFLON CONDUIT
T Titanium	4 4000	4 480V	29 4kW		P5 - SOLUTIONS UP TO 300°F	
	5 5000	5 415V	35 5kW		RESETTABLE FUSE	
	6 6000	6 600V	40 6kW		P2 - SOLUTIONS UP TO 180°F	
	7 7000	7 400V	47 8kW		P6 - SOLUTIONS UP TO 230°F	
	8 8000	8 208V	54 9kW		P7 - SOLUTIONS UP TO 300°F	
	9 9000	9 220V	59 10kW			
	10 10000	0 200V	60 12kW			
	11 11000					
	12 12000					

EX. IM-S8447-3-P1 METAL OVER THE SIDE 316SS Immersion Heater, 8kW, 480V, 3PH, 47" Overall Length, P1 Replaceable Fuse for Solutions up to 180degF, 36" Teflon Conduit

**LOW WATT DENSITY METAL OVER THE SIDE HEATERS**



**INFORMATION**

- Low watt density, derated, durable, efficient metal heater
- For concentrated alkaline or caustic solutions
- Check solution recommendation chart with chemical supplier for proper sheath material selection
- Available in:
  - Steel
  - 304 Stainless Steel
  - 316 Stainless Steel
  - Titanium
- Single or three phase
- 500-6000 watts, 120-480 volts

**FEAUTRES**

- Low watt densities of 18 watts/square inch (2.8 w/cm<sup>2</sup>)
- Vapor resistant, flame retardant polypropylene terminal enclosure with 3 ft (.9m) flexible teflon liquid tight conduit
- Grounded construction and built in thermal protector
- Replaceable P1 protector standard for solutions up to 180°F(82°C)



**PROTECTOR / FUSE OPTIONS**

CODE	TYPE OF FUSE	DESCRIPTION
P1	REPLACEABLE	Standard for solutions up to 180°F (82°C)
P4	REPLACEABLE	For solutions from 180 to 230°F (82 to 110°C)
P5	REPLACEABLE	For solutions from 230 to 300°F (110 to 150°C)
P2	RESETTABLE	For solutions up to 180°F (82°C)
P6	RESETTABLE	For solutions from 180 to 230°F (82 to 110°C)
P7	RESETTABLE	For solutions from 230 to 300°F (110 to 150°C)

## STANDARD PARTS

Steel	304SS	316SS	Titanium	Watts	Volts	Hot Zone	Overall Length
IM-DP.5111-**	IM-DF.5111-**	IM-DS.5111-**	IM-DT.5111-**	500 W	120 V	6 "152 mm	11 "279 mm
IM-DP.5211-**	IM-DF.5211-**	IM-DS.5211-**	IM-DT.5211-**	500 W	240 V	6 "152 mm	11 "279 mm
IM-DP1217-**	IM-DF1217-**	IM-DS1217-**	IM-DT1217-**	1000 W	240 V	10 "254 mm	17 "432 mm
IM-DP1417-**	IM-DF1417-**	IM-DS1417-**	IM-DT1417-**	1000 W	480 V	10 "254 mm	17 "432 mm
IM-DP1.5223-**	IM-DF1.5223-**	IM-DS1.5223-**	IM-DT1.5223-**	1500 W	240 V	16 "406 mm	23 "584 mm
IM-DP1.5423-**	IM-DF1.5423-**	IM-DS1.5423-**	IM-DT1.5423-**	1500 W	480 V	16 "406 mm	23 "584 mm
IM-DP2229-**	IM-DF2229-**	IM-DS2229-**	IM-DT2229-**	2000 W	240 V	20 "508 mm	29 "737 mm
IM-DP2429-**	IM-DF2429-**	IM-DS2429-**	IM-DT2429-**	2000 W	480 V	20 "508 mm	29 "737 mm
IM-DP2.5235-**	IM-DF2.5235-**	IM-DS2.5235-**	IM-DT2.5235-**	2500 W	240 V	25 "635 mm	35 "889 mm
IM-DP2.5435-**	IM-DF2.5435-**	IM-DS2.5435-**	IM-DT2.5435-**	2500 W	480 V	25 "635 mm	35 "889 mm
IM-DP3240-**	IM-DF3240-**	IM-DS3240-**	IM-DT3240-**	3000 W	240 V	30 "762 mm	40 "1016 mm
IM-DP3440-**	IM-DF3440-**	IM-DS3440-**	IM-DT3440-**	3000 W	480 V	30 "762 mm	40 "1016 mm
IM-DP4247-**	IM-DF4247-**	IM-DS4247-**	IM-DT4247-**	4000 W	240 V	37 "940 mm	47 "1194 mm
IM-DP4447-**	IM-DF4447-**	IM-DS4447-**	IM-DT4447-**	4000 W	480 V	37 "940 mm	47 "1194 mm
IM-DP4.5254-**	IM-DF4.5254-**	IM-DS4.5254-**	IM-DT4.5254-**	4500 W	240 V	44 "1118 mm	54 "1372 mm
IM-DP4.5454-**	IM-DF4.5454-**	IM-DS4.5454-**	IM-DT4.5454-**	4500 W	480 V	44 "1118 mm	54 "1372 mm
IM-DP5259-**	IM-DF5259-**	IM-DS5259-**	IM-DT5259-**	5000 W	240 V	49 "1245 mm	59 "1499 mm
IM-DP5459-**	IM-DF5459-**	IM-DS5459-**	IM-DT5459-**	5000 W	480 V	49 "1245 mm	59 "1499 mm
IM-DP6268-**	IM-DF6268-**	IM-DS6268-**	IM-DT6268-**	6000 W	240 V	58 "1473 mm	68 "1727 mm
IM-DP6468-**	IM-DF6468-**	IM-DS6468-**	IM-DT6468-**	6000 W	480 V	58 "1473 mm	68 "1727 mm

Single phase standard, 3-phase available. \*\*Specify Protector / Fuse

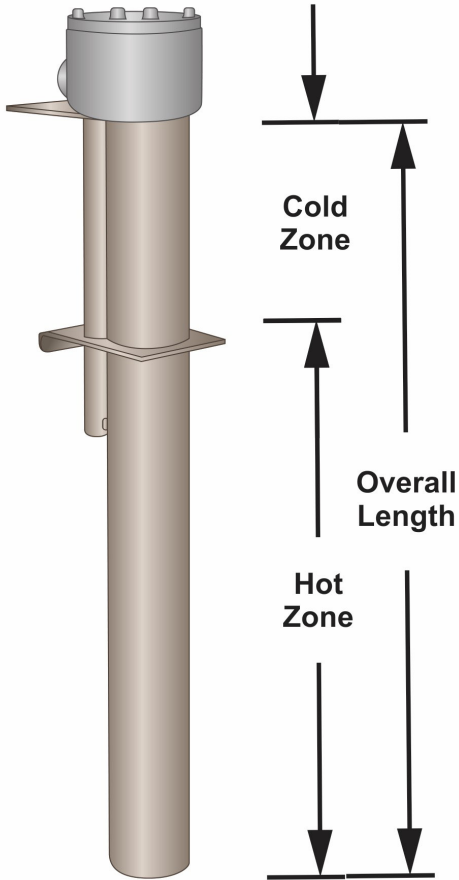
## 3-4 Week Lead Time for Standard & Custom Products!

## ORDER CODE

IM-DX	XX	X	XX	-	XX	
SERIES	WATTAGE	VOLTAGE	OVERALL LENGTH	PHASE	TYPE OF PROTECTOR	WIRE & CONDUIT LENGTH
DP Steel	.5 500	1 120V	11 .5kW	No Designator = Single Phase Power (std)	REPLACEABLE FUSE	blank - 36" TEFLON CONDUIT
DF 304 stainless steel	1 1000	2 240V	17 1kW		P1 <sub>(std)</sub> - SOLUTIONS UP TO 180°F	
DS 316 stainless steel	1.5 1500	3 380V	23 1.5kW	-3 = Three Phase Power	P4 - SOLUTIONS UP TO 230°F	SPECIFY LENGTH - EX. X84 = 84" TEFLON CONDUIT
DT Titanium	2 2000	4 480V	29 2kW		P5 - SOLUTIONS UP TO 300°F	
	2.5 2500	5 415V	35 2.5kW		RESETTABLE FUSE	
	3 3000	6 600V	40 3kW		P2 - SOLUTIONS UP TO 180°F	
	4 4000	7 400V	47 4kW		P6 - SOLUTIONS UP TO 230°F	
	4.5 4500	8 208V	54 4.5kW		P7 - SOLUTIONS UP TO 300°F	
	5 5000	9 220V	59 5kW			
	6 6000	0 200V	60 6kW			

EX. IM-DS4447-3-P1 LOW WATT DENSITY METAL OVER THE SIDE 316SS Immersion Heater, 4kW, 480V, 3PH, 47" Overall Length, P1 Replaceable Fuse for Solutions up to 180degF, 36" Teflon Conduit

**PHOSPHATE HEATER**



**INFORMATION**

- Designed for phosphate coating applications
- Suitable for use in iron, zinc, and manganese phosphate tanks
- Check solution recommendation chart with chemical supplier for proper sheath material selection
- Available in single or three phase
- Power range: 1000-10000 watts
- Operates on 120-480 volts

**FEAUTRES**

- Suitable for use in iron, zinc, and manganese phosphate tanks
- Schedule 40, heavy wall, 316 stainless steel sheath resists scaling better than traditional heaters
- Low watt densities up to 23 watts/square inch (3.5 w/cm<sup>2</sup>) minimize scaling while only using the space required for a full watt density heater
- Rugged cast steel terminal enclosure with 3 ft (.9m) flexible Teflon liquid tight conduit
- Grounded construction
- Built-in thermal protector
- Standard replaceable P4 protector for solutions up to 230°F(110°C)



**PROTECTOR / FUSE OPTIONS**

CODE	TYPE OF FUSE	DESCRIPTION
P4	REPLACEABLE	For solutions up to 230°F (82 to 110°C)
P5	REPLACEABLE	For solutions from 230 to 300°F (110 to 150°C)
P6	RESETTABLE	For solutions up to 230°F (82 to 110°C)
P7	RESETTABLE	For solutions from 230 to 300°F (110 to 150°C)

STANDARD PARTS				
MPI P/N	WATTS	VOLTS	HOT ZONE	OVERALL LENGTH
IM-DAS1111-P4	1000 W	120 V	7 "180 mm	11 "280 mm
IM-DAS1211-P4	1000 W	240 V	7 "180 mm	11 "280 mm
IM-DAS2217-P4	2000 W	240 V	12 "305 mm	17 "430 mm
IM-DAS2417-P4	2000 W	480 V	12 "305 mm	17 "430 mm
IM-DAS3223-P4	3000 W	240 V	18 "460 mm	23 "585 mm
IM-DAS3423-P4	3000 W	480 V	18 "460 mm	23 "585 mm
IM-DAS3.5229-P4	3500 W	240 V	21 "535 mm	29 "735 mm
IM-DAS3.5429-P4	3500 W	480 V	21 "535 mm	29 "735 mm
IM-DAS4235-P4	4000 W	240 V	28 "710 mm	35 "890 mm
IM-DAS4435-P4	4000 W	480 V	28 "710 mm	35 "890 mm
IM-DAS5241-P4	5000 W	240 V	33 "840 mm	41 "1040 mm
IM-DAS5441-P4	5000 W	480 V	33 "840 mm	41 "1040 mm
IM-DAS6247-P4	6000 W	240 V	39 "990 mm	47 "1195 mm
IM-DAS6447-P4	6000 W	480 V	39 "990 mm	47 "1195 mm
IM-DAS8259-P4	8000 W	240 V	49 "1245 mm	59 "1500 mm
IM-DAS8459-P4	8000 W	480 V	49 "1245 mm	59 "1500 mm
IM-DAS10271-P4	10000 W	240 V	62 "1575 mm	71 "1805 mm
IM-DAS10471-P4	10000 W	480 V	62 "1575 mm	71 "1805 mm

\*Single phase standard, 3-phase available.

## 3-4 Week Lead Time for Standard & Custom Products!

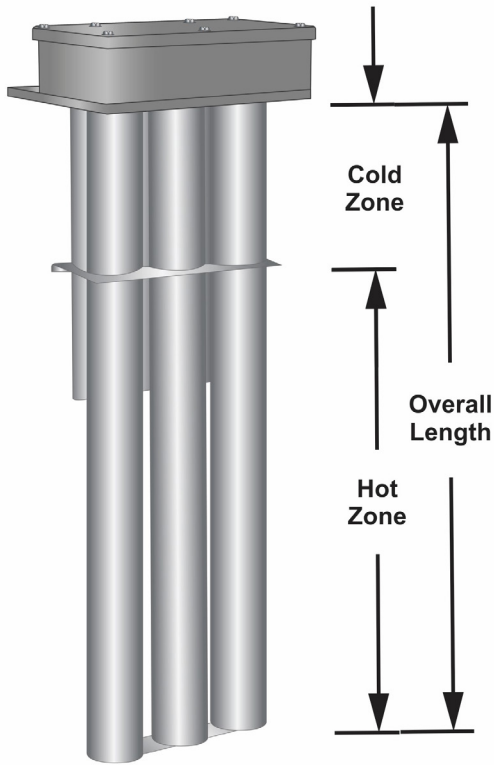
### ORDER CODE

IM-DAS XX X XX - XX						
SERIES	WATTAGE	VOLTAGE	LENGTH (in)	OPTIONS	TYPE OF PROTECTOR	WIRE & CONDUIT LENGTH
DAS	1 1000	1 120V	11 1kW	No Designator = Single Phase Power (std)	REPLACEABLE FUSE	blank - 36" TEFLON CONDUIT
	2 2000	2 240V	17 2kW		P4 <sub>(std)</sub> - SOLUTIONS UP TO 230°F	
	3 3000	3 380V	23 3kW	-3 = three Phase Power	P5 - SOLUTIONS 230°F TO 300°F	SPECIFY LENGTH - EX. X84 = 84" TEFLON CONDUIT
	3.5 3500	4 480V	29 3.5kW		RESETTABLE FUSE	
	4 4000	5 415V	35 4kW		(Additional control components required)	
	5 5000	6 600V	41 5kW		P6 - SOLUTIONS UP TO 230°F	
	6 6000	7 400V	47 6kW		P7 - SOLUTIONS 230°F TO 300°F	
	8 8000	8 208V	59 8kW			
	10 10000	9 220V	71 10kW			
		0 200V				

1inch = 25.4mm

EX. IM-DAS1211-3-P4 PHOSPHATE Immersion Heater, 1kW, 240V, 3PH, 11" Overall Length, P4 Replaceable Fuse for Solutions up to 230degF, 36" Teflon Conduit

## TRIPLE METAL OVER THE SIDE HEATER



### INFORMATION

- Chemical heater designed for durability and efficiency
- Suitable for use in various aqueous alkaline solutions, plating and phosphate tanks
- Available in steel, 304 stainless steel, 316 stainless steel, and titanium
- Three phase
- Wattage range of 3000-36000
- Operates at voltages of 240-480
- Ideal for use in surface finishing applications

### FEAUTRES

- Heavy wall metal sheaths available in:
  - steel
  - 304 stainless steel
  - 316 stainless steel
  - titanium
- Watt densities up to 35 watts/square inch (5.4 w/cm<sup>2</sup>)
- Vapor resistant, flame retardant polypropylene terminal enclosure with 3 ft (.9m) flexible Teflon liquid tight conduit
- Grounded construction and built in thermal protector
- Replaceable P1 protector standard for solutions up to 180°F(82°C)



### PROTECTOR / FUSE OPTIONS

CODE	TYPE OF FUSE	DESCRIPTION
P1	REPLACEABLE	Standard for solutions up to 180°F (82°C)
P4	REPLACEABLE	For solutions from 180 to 230°F (82 to 110°C)
P5	REPLACEABLE	For solutions from 230 to 300°F (110 to 150°C)
P2	RESETTABLE	For solutions up to 180°F (82°C)
P6	RESETTABLE	For solutions from 180 to 230°F (82 to 110°C)
P7	RESETTABLE	For solutions from 230 to 300°F (110 to 150°C)

## STANDARD PARTS

STEEL	304SS	316SS	TITANIUM	WATTS	VOLTS	HOT ZONE	OVERALL LEGTH
IM-3P3211-*.**	IM-3F3211-*.**	IM-3S3211-*.**	IM-3T3211-*.**	3000 W	240 V	6 "152 mm	11 "279 mm
IM-3P3411-*.**	IM-3F3411-*.**	IM-3S3411-*.**	IM-3T3411-*.**	3000 W	480 V	6 "152 mm	11 "279 mm
IM-3P6217-*.**	IM-3F6217-*.**	IM-3S6217-*.**	IM-3T6217-*.**	6000 W	240 V	10 "254 mm	17 "432 mm
IM-3P6417-*.**	IM-3F6417-*.**	IM-3S6417-*.**	IM-3T6417-*.**	6000 W	480 V	10 "254 mm	17 "432 mm
IM-3P9223-*.**	IM-3F9223-*.**	IM-3S9223-*.**	IM-3T9223-*.**	9000 W	240 V	16 "406 mm	23 "584 mm
IM-3P9423-*.**	IM-3F9423-*.**	IM-3S9423-*.**	IM-3T9423-*.**	9000 W	480 V	16 "406 mm	23 "584 mm
IM-3P12229-*.**	IM-3F12229-*.**	IM-3S12229-*.**	IM-3T12229-*.**	12,000 W	240 V	20 "508 mm	29 "737 mm
IM-3P12429-*.**	IM-3F12429-*.**	IM-3S12429-*.**	IM-3T12429-*.**	12,000 W	480 V	20 "508 mm	29 "737 mm
IM-3P15235-*.**	IM-3F15235-*.**	IM-3S15235-*.**	IM-3T15235-*.**	15,000 W	240 V	25 "635 mm	35 "889 mm
IM-3P15435-*.**	IM-3F15435-*.**	IM-3S15435-*.**	IM-3T15435-*.**	15,000 W	480 V	25 "635 mm	35 "889 mm
IM-3P18240-*.**	IM-3F18240-*.**	IM-3S18240-*.**	IM-3T18240-*.**	18,000 W	240 V	30 "762 mm	40 "1016 mm
IM-3P18440-*.**	IM-3F18440-*.**	IM-3S18440-*.**	IM-3T18440-*.**	18,000 W	480 V	30 "762 mm	40 "1016 mm
IM-3P24247-*.**	IM-3F24247-*.**	IM-3S24247-*.**	IM-3T24247-*.**	24,000 W	240 V	37 "940 mm	47 "1194 mm
IM-3P24447-*.**	IM-3F24447-*.**	IM-3S24447-*.**	IM-3T24447-*.**	24,000 W	480 V	37 "940 mm	47 "1194 mm
IM-3P27254-*.**	IM-3F27254-*.**	IM-3S27254-*.**	IM-3T27254-*.**	27,000 W	240 V	44 "1118 mm	54 "1372 mm
IM-3P27454-*.**	IM-3F27454-*.**	IM-3S27454-*.**	IM-3T27454-*.**	27,000 W	480 V	44 "1118 mm	54 "1372 mm
IM-3P30259-*.**	IM-3F30259-*.**	IM-3S30259-*.**	IM-3T30259-*.**	30,000 W	240 V	49 "1245 mm	59 "1499 mm
IM-3P30459-*.**	IM-3F30459-*.**	IM-3S30459-*.**	IM-3T30459-*.**	30,000 W	480 V	49 "1245 mm	59 "1499 mm
IM-3P36268-*.**	IM-3F36268-*.**	IM-3S36268-*.**	IM-3T36268-*.**	36,000 W	240 V	58 "1473 mm	68 "1727 mm
IM-3P36468-*.**	IM-3F36468-*.**	IM-3S36468-*.**	IM-3T36468-*.**	36,000 W	480 V	58 "1473 mm	68 "1727 mm

\*3 phase standard, single phase available. \*\*Specify Protector / Fuse

## 3-4 Week Lead Time for Standard & Custom Products!

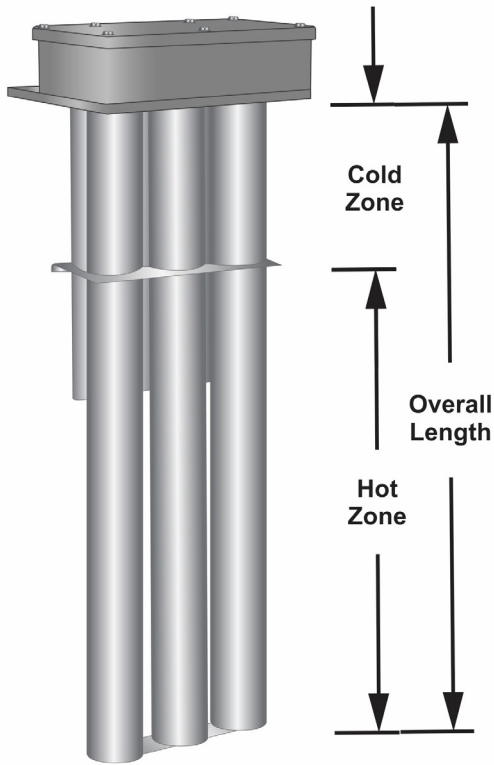
### ORDER CODE

IM-3X		XX	X	XX	- X	-	XX	
SERIES	WATTAGE	VOLTAGE	OVERALL LENGTH	PHASE	TYPE OF PROTECTOR	WIRE & CONDUIT LENGTH		
3P Steel	3 3000W	1 120V	11 3kW	-3 = 3 Phase (std)	REPLACEABLE FUSE	blank - 36" TEFLON CONDUIT		
3F 304 stainless steel	6 6000W	2 240V	17 6kW		P1 (std)- SOLUTIONS UP TO 180°F			
3S 316 stainless steel	9 9000W	3 380V	23 9kW	-1 = Single Phase	P4 - SOLUTIONS UP TO 230°F	SPECIFY LENGTH - EX. X84 = 84" TEFLON CONDUIT		
3T Titanium	12 12000W	4 480V	29 12kW		P5 - SOLUTIONS UP TO 300°F			
	15 15000W	5 415V	35 15kW		RESETTABLE FUSE			
	18 18000W	6 600V	40 18kW		P2 - SOLUTIONS UP TO 180°F			
	24 24000W	7 400V	47 24kW		P6 - SOLUTIONS UP TO 230°F			
	27 27000W	8 208V	54 27kW		P7 - SOLUTIONS UP TO 300°F			
	30 30000W	9 220V	59 30kW					
	36 36000W	0 200V	68 36kW					

EX. IM-3S18640-3-P5 TRIPLE METAL 316SS Immersion Heater, 18kW, 600V, 3PH, 40" Overall Length, P5 Replaceable Fuse for Solutions up to 300degF, 36" Teflon Conduit



**LOW WATT DENSITY TRIPLE METAL OVER THE SIDE HEATER**



**INFORMATION**

- Low watt density, durable, efficient metal heater
- For concentrated alkaline or caustic solutions
- Check solution recommendation chart with chemical supplier for proper sheath material selection
- Available in:
  - Steel
  - 304 Stainless Steel
  - 316 Stainless Steel
  - Titanium
- Three phase
- 1500-18000 watts, 120-480 volts

**FEAUTRES**

- Low watt densities of 18 watts/square inch (2.8 w/cm<sup>2</sup>)
- Vapor resistant, flame retardant polypropylene terminal enclosure with 3 ft (.9m) flexible PVC liquid tight conduit
- Grounded construction and built in thermal protector
- Replaceable P1 protector standard for solutions up to 180°F(82°C)



**PROTECTOR / FUSE OPTIONS**

CODE	TYPE OF FUSE	DESCRIPTION
P1	REPLACEABLE	Standard for solutions up to 180°F (82°C)
P4	REPLACEABLE	For solutions from 180 to 230°F (82 to 110°C)
P5	REPLACEABLE	For solutions from 230 to 300°F (110 to 150°C)
P2	RESETTABLE	For solutions up to 180°F (82°C)
P6	RESETTABLE	For solutions from 180 to 230°F (82 to 110°C)
P7	RESETTABLE	For solutions from 230 to 300°F (110 to 150°C)

## STANDARD PARTS

Steel	304SS	316SS	Titanium	Watts	Volts	Hot Zone	Overall Length
IM-D3P1.5111-**	IM-D3F1.5111-**	IM-D3S1.5111-**	IM-D3T1.5111-**	1500 W	120 V	6 "152 mm	11 "279 mm
IM-D3P1.5211-**	IM-D3F1.5211-**	IM-D3S1.5211-**	IM-D3T1.5211-**	1500 W	240 V	6 "152 mm	11 "279 mm
IM-D3P3217-**	IM-D3F3217-**	IM-D3S3217-**	IM-D3T3217-**	3000 W	240 V	10 "254 mm	17 "432 mm
IM-D3P3417-**	IM-D3F3417-**	IM-D3S3417-**	IM-D3T3417-**	3000 W	480 V	10 "254 mm	17 "432 mm
IM-D3P4.5223-**	IM-D3F4.5223-**	IM-D3S4.5223-**	IM-D3T4.5223-**	4500 W	240 V	16 "406 mm	23 "584 mm
IM-D3P4.5423-**	IM-D3F4.5423-**	IM-D3S4.5423-**	IM-D3T4.5423-**	4500 W	480 V	16 "406 mm	23 "584 mm
IM-D3P6229-**	IM-D3F6229-**	IM-D3S6229-**	IM-D3T6229-**	6000 W	240 V	20 "508 mm	29 "737 mm
IM-D3P6429-**	IM-D3F6429-**	IM-D3S6429-**	IM-D3T6429-**	6000 W	480 V	20 "508 mm	29 "737 mm
IM-D3P7.5235-**	IM-D3F7.5235-**	IM-D3S7.5235-**	IM-D3T7.5235-**	7500 W	240 V	25 "635 mm	35 "889 mm
IM-D3P7.5435-**	IM-D3F7.5435-**	IM-D3S7.5435-**	IM-D3T7.5435-**	7500 W	480 V	25 "635 mm	35 "889 mm
IM-D3P9240-**	IM-D3F9240-**	IM-D3S9240-**	IM-D3T9240-**	9000 W	240 V	30 "762 mm	40 "1016 mm
IM-D3P9440-**	IM-D3F9440-**	IM-D3S9440-**	IM-D3T9440-**	9000 W	480 V	30 "762 mm	40 "1016 mm
IM-D3P12247-**	IM-D3F12247-**	IM-D3S12247-**	IM-D3T12247-**	12,000 W	240 V	37 "940 mm	47 "1194 mm
IM-D3P12447-**	IM-D3F12447-**	IM-D3S12447-**	IM-D3T12447-**	12,000 W	480 V	37 "940 mm	47 "1194 mm
IM-D3P13.5254-**	IM-D3F13.5254-**	IM-D3S13.5254-**	IM-D3T13.5254-**	13,500 W	240 V	44 "1118 mm	54 "1372 mm
IM-D3P13.5454-**	IM-D3F13.5454-**	IM-D3S13.5454-**	IM-D3T13.5454-**	13,500 W	480 V	44 "1118 mm	54 "1372 mm
IM-D3P15259-**	IM-D3F15259-**	IM-D3S15259-**	IM-D3T15259-**	15,000 W	240 V	49 "1245 mm	59 "1499 mm
IM-D3P15459-**	IM-D3F15459-**	IM-D3S15459-**	IM-D3T15459-**	15,000 W	480 V	49 "1245 mm	59 "1499 mm
IM-D3P18268-**	IM-D3F18268-**	IM-D3S18268-**	IM-D3T18268-**	18,000 W	240 V	58 "1473 mm	68 "1727 mm
IM-D3P18468-**	IM-D3F18468-**	IM-D3S18468-**	IM-D3T18468-**	18,000 W	480 V	58 "1473 mm	68 "1727 mm

\*3 phase standard, single phase available. \*\*Specify Protector / Fuse

## 3-4 Week Lead Time for Standard & Custom Products!

### ORDER CODE

IM-D3X		XX	X	XX	- X	-	XX	
SERIES	WATTAGE	VOLTAGE	OVERALL LENGTH	PHASE	TYPE OF PROTECTOR	WIRE & CONDUIT LENGTH		
D3P Steel	1.5 1500W	1 120V	11 1.5kW	-3 = 3 Phase (std)	REPLACEABLE FUSE	blank - 36" TEFLON CONDUIT		
D3F 304 stainless steel	3 3000W	2 240V	17 3kW		P1 (std)- SOLUTIONS UP TO 180°F			
D3S 316 stainless steel	4.5 4500W	3 380V	23 4.5kW	-1 = Single Phase	P4 - SOLUTIONS UP TO 230°F	SPECIFY LENGTH - EX. X84 = 84" TEFLON CONDUIT		
D3T Titanium	6 6000W	4 480V	29 6kW		P5 - SOLUTIONS UP TO 300°F			
	7.5 7.500W	5 415V	35 7.5kW		RESETTABLE FUSE			
	9 9000W	6 600V	40 9kW		P2 - SOLUTIONS UP TO 180°F			
	12 12000W	7 400V	47 12kW		P6 - SOLUTIONS UP TO 230°F			
	13.5 13500W	8 208V	54 13.5kW		P7 - SOLUTIONS UP TO 300°F			
	15 15000W	9 220V	59 15kW					
	18 18000W	0 200V	68 18kW					

EX. IM-D3S18668-3-P5 LOW WATT DENSITY TRIPLE METAL 316SS Immersion Heater, 18kW, 600V, 3PH, 68" Overall Length, P5 Replaceable Fuse for Solutions up to 300degF, 36" Teflon

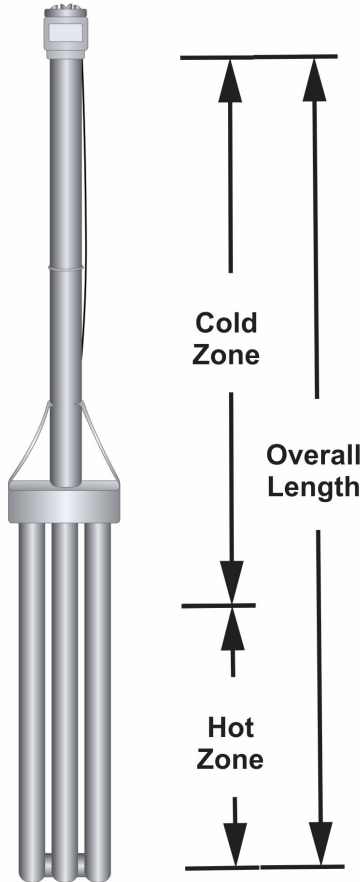
**DEEP TANK TRIPLE METAL HEATER**

**INFORMATION**

- Durable, efficient chemical heater
- Suitable for use in deep tanks
- Made of:
  - Steel
  - 304 stainless steel
  - 316 stainless steel
  - Titanium
- Consult solution recommendation chart with chemical supplier for proper sheath material selection
- Can be used in three phase or single phase systems
- Wattage range: 1800-54000 watts
- Voltages: 240-480

**FEAUTRES**

- Heavy wall metal sheath available in:
  - Steel
  - 304 stainless steel
  - 316 stainless steel
  - Titanium
- High watt density of up to 35 watts/square inch (5.4 w/cm<sup>2</sup>)
- Terminal enclosure made of vapor resistant, flame retardant polypropylene with 3 ft (.9m) flexible Teflon liquid tight conduit
- Grounded construction and built-in thermal protector
- Replaceable P1 protector included for solutions up to 180°F (82°C)



**PROTECTOR / FUSE OPTIONS**

CODE	TYPE OF FUSE	DESCRIPTION
P2	RESETTABLE	For solutions up to 180°F (82°C)
P6	RESETTABLE	For solutions from 180 to 230°F (82 to 110°C)

## STANDARD PARTS

STEEL	304SS	316SS	TITANIUM	WATTS	VOLTS	HOT ZONE
IM-3VP18236-R* <b>**</b>	IM-3VF18236-R* <b>**</b>	IM-3VS18236-R* <b>**</b>	IM-3VT18236-R* <b>**</b>	18,000 W	240 V	36 "914 mm
IM-3VP18436-R* <b>**</b>	IM-3VF18436-R* <b>**</b>	IM-3VS18436-R* <b>**</b>	IM-3VT18436-R* <b>**</b>	18,000 W	480 V	36 "914 mm
IM-3VP24244-R* <b>**</b>	IM-3VF24244-R* <b>**</b>	IM-3VS24244-R* <b>**</b>	IM-3VT24244-R* <b>**</b>	24,000 W	240 V	44 "1118 mm
IM-3VP24444-R* <b>**</b>	IM-3VF24444-R* <b>**</b>	IM-3VS24444-R* <b>**</b>	IM-3VT24444-R* <b>**</b>	24,000 W	480 V	44 "1118 mm
IM-3VP27450-R* <b>**</b>	IM-3VF27450-R* <b>**</b>	IM-3VS27450-R* <b>**</b>	IM-3VT27450-R* <b>**</b>	27,000 W	480 V	50 "1270 mm
IM-3VP30455-R* <b>**</b>	IM-3VF30455-R* <b>**</b>	IM-3VS30455-R* <b>**</b>	IM-3VT30455-R* <b>**</b>	30,000 W	480 V	55 "1397 mm
IM-3VP36464-R* <b>**</b>	IM-3VF36464-R* <b>**</b>	IM-3VS36464-R* <b>**</b>	IM-3VT36464-R* <b>**</b>	36,000 W	480 V	64 "1626 mm
IM-3VP45477-R* <b>**</b>	IM-3VF45477-R* <b>**</b>	IM-3VS45477-R* <b>**</b>	IM-3VT45477-R* <b>**</b>	45,000 W	480 V	77 "1956 mm
IM-3VP48482-R* <b>**</b>	IM-3VF48482-R* <b>**</b>	IM-3VS48482-R* <b>**</b>	IM-3VT48482-R* <b>**</b>	48,000 W	480 V	82 "2083 mm
IM-3VP54491-R* <b>**</b>	IM-3VF54491-R* <b>**</b>	IM-3VS54491-R* <b>**</b>	IM-3VT54491-R* <b>**</b>	54,000 W	480 V	91 "2311 mm

3-phase standard, single phase available. \* Specify Cold Zone / Riser Height. \*\*Specify Protector / Fuse

## 3-4 Week Lead Time for Standard & Custom Products!

### ORDER CODE

IM-3VX	XX	X	XX	-	XXX	-	XX
SERIES	WATTAGE	VOLTAGE	HOT ZONE LENGTH (in)	RISER LENGTH	OPTIONS	TYPE OF PROTECTOR	
3VP Steel	18 18000W	2 240V	30 18kW	Specify custom lengths, not to exceed tank depth Ex : -R48 = 48"	No Designator = 3 Phase Power (std) -1 = Single Phase Power	<b>RESETTABLE FUSE</b>  (Additional control components required)  <b>P2 - SOLUTIONS UP TO 180°F</b>  <b>P6 - FOR 180°F TO 230°F</b>	
3VF 304 Stainless Steel	24 24000W	3 380V	37 24kW				
3VS 316 Stainless Steel	27 27000W	4 480V	44 27kW				
3VT Titanium	30 30000W	5 415V	49 30kW				
	36 36000W	6 600V	58 36kW				
	45 45000W	7 400V	66 45kW				
	48 48000W	8 208V	70 48kW				
	54 54000W	9 220V	78 54kW				
		0 200V					

#### WIRE & CONDUIT LENGTH

blank -  
36" TEFLON CONDUIT

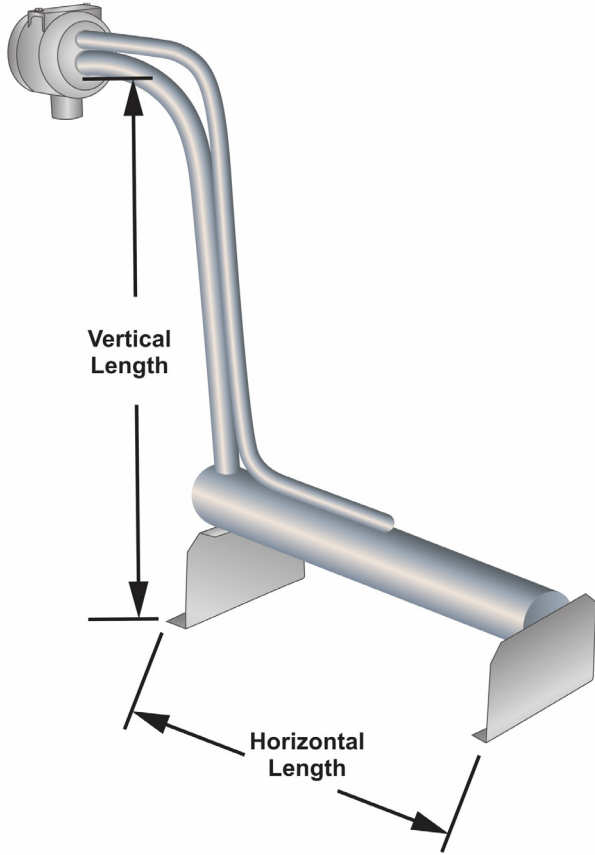
#### SPECIFY LENGTH

- EX. X84 = 84" TEFLON CONDUIT

EX. IM-3VT36658-R48-P6 DEEP TANK TRIPLE METAL Immersion Heater, 36kW, 600V, 58" Hot Zone, 48" Riser Length, P6 Resettable Fuse for Solutions up to 230degF, 36" Teflon Conduit

1inch = 25.4mm

**L-SHAPED METAL HEATER**



**INFORMATION**

- Durable and efficient chemical heater
- Bottom style, L-shaped design
- Heavy wall metal sheaths available in steel, 304 stainless steel, 316 stainless steel, and titanium (check with chemical supplier for proper material selection)
- Single or three phase
- 1000-12000 watts, 120-480 volts

**FEAUTRES**

- Heavy wall metal sheaths available in steel, 304 stainless steel, 316 stainless steel, and titanium
- Watt densities of up to 35 watts/square inch (5.4 w/cm<sup>2</sup>)
- Vapor resistant and flame retardant terminal enclosure made of polypropylene, with 3 ft (.9m) flexible Teflon liquid tight conduit
- Grounded construction and built-in thermal protector
- Replaceable P1 protector standard for solutions up to 180°F(82°C)



**PROTECTOR / FUSE OPTIONS**

CODE	TYPE OF FUSE	DESCRIPTION
P1	REPLACEABLE	Standard for solutions up to 180°F (82°C)
P4	REPLACEABLE	For solutions from 180 to 230°F (82 to 110°C)
P5	REPLACEABLE	For solutions from 230 to 300°F (110 to 150°C)
P2	RESETTABLE	For solutions up to 180°F (82°C)
P6	RESETTABLE	For solutions from 180 to 230°F (82 to 110°C)
P7	RESETTABLE	For solutions from 230 to 300°F (110 to 150°C)

## STANDARD PARTS

STEEL	304SS	316SS	TITANIUM	WATTS		HORIZONTAL LENGTH	VERTICAL LENGTH
IM-LP1113-R**	IM-LF1113-R**	IM-LS1113-R**	IM-LT1113-R**	1000 W	120 V	13 "330 mm	15 "381 mm
IM-LP1213-R**	IM-LF1213-R**	IM-LS1213-R**	IM-LT1213-R**	1000 W	240 V	13 "330 mm	15 "381 mm
IM-LP2117-R**	IM-LF2117-R**	IM-LS2117-R**	IM-LT2117-R**	2000 W	120 V	17 "432 mm	19 "483 mm
IM-LP2217-R**	IM-LF2217-R**	IM-LS2217-R**	IM-LT2217-R**	2000 W	240 V	17 "432 mm	19 "483 mm
IM-LP2417-R**	IM-LF2417-R**	IM-LS2417-R**	IM-LT2417-R**	2000 W	480 V	17 "432 mm	19 "483 mm
IM-LP3222-R**	IM-LF3222-R**	IM-LS3222-R**	IM-LT3222-R**	3000 W	240 V	22 "559 mm	25 "635 mm
IM-LP3422-R**	IM-LF3422-R**	IM-LS3422-R**	IM-LT3422-R**	3000 W	480 V	22 "559 mm	25 "635 mm
IM-LP4226-R**	IM-LF4226-R**	IM-LS4226-R**	IM-LT4226-R**	4000 W	240 V	26 "660 mm	25 "635 mm
IM-LP4426-R**	IM-LF4426-R**	IM-LS4426-R**	IM-LT4426-R**	4000 W	480 V	26 "660 mm	25 "635 mm
IM-LP5231-R**	IM-LF5231-R**	IM-LS5231-R**	IM-LT5231-R**	5000 W	240 V	31 "787 mm	37 "940 mm
IM-LP5431-R**	IM-LF5431-R**	IM-LS5431-R**	IM-LT5431-R**	5000 W	480 V	31 "787 mm	37 "940 mm
IM-LP6236-R**	IM-LF6236-R**	IM-LS6236-R**	IM-LT6236-R**	6000 W	240 V	36 "914 mm	50 "1270 mm
IM-LP6436-R**	IM-LF6436-R**	IM-LS6436-R**	IM-LT6436-R**	6000 W	480 V	36 "914 mm	50 "1270 mm
IM-LP8244-R**	IM-LF8244-R**	IM-LS8244-R**	IM-LT8244-R**	8000 W	240 V	44 "1118 mm	50 "1270 mm
IM-LP8444-R**	IM-LF8444-R**	IM-LS8444-R**	IM-LT8444-R**	8000 W	480 V	44 "1118 mm	50 "1270 mm
IM-LP9250-R**	IM-LF9250-R**	IM-LS9250-R**	IM-LT9250-R**	9000 W	240 V	50 "1270 mm	50 "1270 mm
IM-LP9450-R**	IM-LF9450-R**	IM-LS9450-R**	IM-LT9450-R**	9000 W	480 V	50 "1270 mm	50 "1270 mm
IM-LP10255-R**	IM-LF10255-R**	IM-LS10255-R**	IM-LT10255-R**	10000 W	240 V	55 "1397 mm	50 "1270 mm
IM-LP10455-R**	IM-LF10455-R**	IM-LS10455-R**	IM-LT10455-R**	10000 W	480 V	55 "1397 mm	50 "1270 mm
IM-LP12464-R**	IM-LF12464-R**	IM-LS12464-R**	IM-LT12464-R**	12,000 W	480 V	64 "1626 mm	50 "1270 mm

Single phase standard, 3-phase available. \*Specify Vertical Length \*\*Specify Protector / Fuse

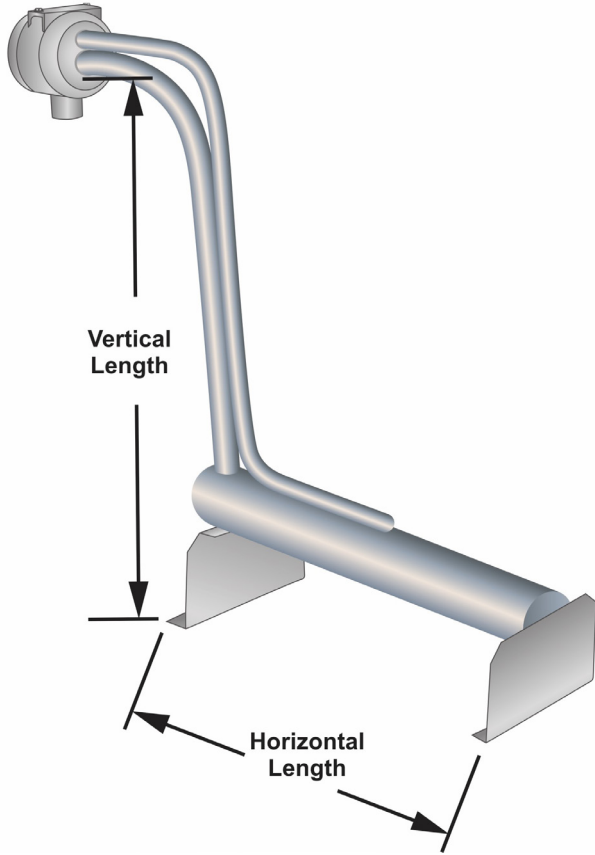
## 3-4 Week Lead Time for Standard & Custom Products!

## ORDER CODE

IM-LX	XX	X	XX	-	XXX	-	
SERIES	WATTAGE	VOLTAGE	HORIZONTAL LENGTH (in)	VERTICAL LENGTH (in)	RISER OPTION	PHASE	
LP Steel	1 1000W	1 120V	13 1kW	R15 1kW	Blank = 90° Horizontal Bend (std)	Blank = Single Phase ( Std)	
LF 304 stainless steel	2 2000W	2 240V	17 2kW	R37 2kW	S= Straight Riser	-3 = three phase	
LS 316 stainless steel	3 3000W	3 380V	22 3kW	R37 3kW			
LT Titanium	4 4000W	4 480V	26 4kW	R37 4kW			
	5 5000W	5 415V	31 5kW	R37 5kW	<b>XX</b>		
	6 6000W	6 600V	36 6kW	R50 6kW	<b>TYPE OF PROTECTOR</b>	<b>WIRE &amp; CONDUIT LENGTH</b>	
	7 7000W	7 400V	44 8kW	R50 8kW	<b>REPLACEABLE FUSE</b>	blank - 36" TEFLON CONDUIT	
	8 8000W	8 208V	50 9kW	R50 9kW	<b>P1</b> (std)- SOLUTIONS UP TO 180°F		
	9 9000W	9 220V	55 10kW	R50 10kW	<b>P4</b> - SOLUTIONS UP TO 230°F	<b>SPECIFY LENGTH - EX. X84 = 84" TEFLON CONDUIT</b>	
	10 10000W	0 200V	64 12kW	R50 12kW	<b>P5</b> - SOLUTIONS UP TO 300°F		
	11 11000W				<b>RESETTABLE FUSE</b>		
	12 12000W				<b>P2</b> - SOLUTIONS UP TO 180°F		
					<b>P6</b> - SOLUTIONS UP TO 230°F		
					<b>P7</b> - SOLUTIONS UP TO 300°F		

EX. IM-LT3422-R37-S-P1 L-SHAPED Titanium Immersion Heater, 3kW, 480V, 22" Horizontal Length, 37" Vertical Length, Straight Riser, P1 Replaceable Fuse for Solutions up to 180degF, 36" Teflon Conduit

LOW WATT DENSITY L-SHAPED METAL HEATER



**INFORMATION**

- Durable and efficient chemical heater
- Bottom style, L-shaped design
- Heavy wall metal sheaths available in steel, 304 stainless steel, 316 stainless steel, and titanium (check with chemical supplier for proper material selection)
- Single or three phase
- 500-6000 watts, 120-480 volts

**FEAUTRES**

- Heavy wall metal sheaths available in steel, 304 stainless steel, 316 stainless steel, and titanium
- Low watt densities of 18 watts/square inch (2.8 w/cm<sup>2</sup>).
- Vapor resistant and flame retardant terminal enclosure made of polypropylene, with 3 ft (.9m) flexible Teflon liquid tight conduit
- Grounded construction and built-in thermal protector
- Replaceable P1 protector standard for solutions up to 180°F(82°C)



**PROTECTOR / FUSE OPTIONS**

CODE	TYPE OF FUSE	DESCRIPTION
P1	REPLACEABLE	Standard for solutions up to 180°F (82°C)
P4	REPLACEABLE	For solutions from 180 to 230°F (82 to 110°C)
P5	REPLACEABLE	For solutions from 230 to 300°F (110 to 150°C)
P2	RESETTABLE	For solutions up to 180°F (82°C)
P6	RESETTABLE	For solutions from 180 to 230°F (82 to 110°C)
P7	RESETTABLE	For solutions from 230 to 300°F (110 to 150°C)

## STANDARD PARTS

Steel	304SS	316SS	Titanium	Watts	Volts	Horizontal Length	Vertical Length
IM-DLP.5113-R**	IM-DLF.5113-R**	IM-DLS.5113-R**	IM-DLT.5113-R**	500 W	120 V	13 "330 mm	15 "381 mm
IM-DLP.5213-R**	IM-DLF.5213-R**	IM-DLS.5213-R**	IM-DLT.5213-R**	500 W	240 V	13 "330 mm	15 "381 mm
IM-DLP1117-R**	IM-DLF1117-R**	IM-DLS1117-R**	IM-DLT1117-R**	1000 W	120 V	17 "432 mm	19 "483 mm
IM-DLP1217-R**	IM-DLF1217-R**	IM-DLS1217-R**	IM-DLT1217-R**	1000 W	240 V	17 "432 mm	19 "483 mm
IM-DLP1.5122-R**	IM-DLF1.5122-R**	IM-DLS1.5122-R**	IM-DLT1.5122-R**	1500 W	120 V	22 "559 mm	25 "635 mm
IM-DLP1.5222-R**	IM-DLF1.5222-R**	IM-DLS1.5222-R**	IM-DLT1.5222-R**	1500 W	240 V	22 "559 mm	25 "635 mm
IM-DLP2226-R**	IM-DLF2226-R**	IM-DLS2226-R**	IM-DLT2226-R**	2000 W	240 V	26 "660 mm	25 "635 mm
IM-DLP2426-R**	IM-DLF2426-R**	IM-DLS2426-R**	IM-DLT2426-R**	2000 W	480 V	26 "660 mm	25 "635 mm
IM-DLP2.5231-R**	IM-DLF2.5231-R**	IM-DLS2.5231-R**	IM-DLT2.5231-R**	2500 W	240 V	31 "787 mm	37 "940 mm
IM-DLP2.5431-R**	IM-DLF2.5431-R**	IM-DLS2.5431-R**	IM-DLT2.5431-R**	2500 W	480 V	31 "787 mm	37 "940 mm
IM-DLP3236-R**	IM-DLF3236-R**	IM-DLS3236-R**	IM-DLT3236-R**	3000 W	240 V	36 "914 mm	50 "1270 mm
IM-DLP3436-R**	IM-DLF3436-R**	IM-DLS3436-R**	IM-DLT3436-R**	3000 W	480 V	36 "914 mm	50 "1270 mm
IM-DLP4244-R**	IM-DLF4244-R**	IM-DLS4244-R**	IM-DLT4244-R**	4000 W	240 V	44 "1118 mm	50 "1270 mm
IM-DLP4444-R**	IM-DLF4444-R**	IM-DLS4444-R**	IM-DLT4444-R**	4000 W	480 V	44 "1118 mm	50 "1270 mm
IM-DLP4.5250-R**	IM-DLF4.5250-R**	IM-DLS4.5250-R**	IM-DLT4.5250-R**	4500 W	240 V	50 "1270 mm	50 "1270 mm
IM-DLP4.5450-R**	IM-DLF4.5450-R**	IM-DLS4.5450-R**	IM-DLT4.5450-R**	4500 W	480 V	50 "1270 mm	50 "1270 mm
IM-DLP5255-R**	IM-DLF5255-R**	IM-DLS5255-R**	IM-DLT5255-R**	5000 W	240 V	55 "1397 mm	50 "1270 mm
IM-DLP5455-R**	IM-DLF5455-R**	IM-DLS5455-R**	IM-DLT5455-R**	5000 W	480 V	55 "1397 mm	50 "1270 mm
IM-DLP6264-R**	IM-DLF6264-R**	IM-DLS6264-R**	IM-DLT6264-R**	6000 W	240 V	64 "1626 mm	50 "1270 mm
IM-DLP6464-R**	IM-DLF6464-R**	IM-DLS6464-R**	IM-DLT6464-R**	6000 W	480 V	64 "1626 mm	50 "1270 mm

Single phase standard, 3-phase available. \*Specify Vertical Length \*\*Specify Protector /

## 3-4 Week Lead Time for Standard & Custom Products!

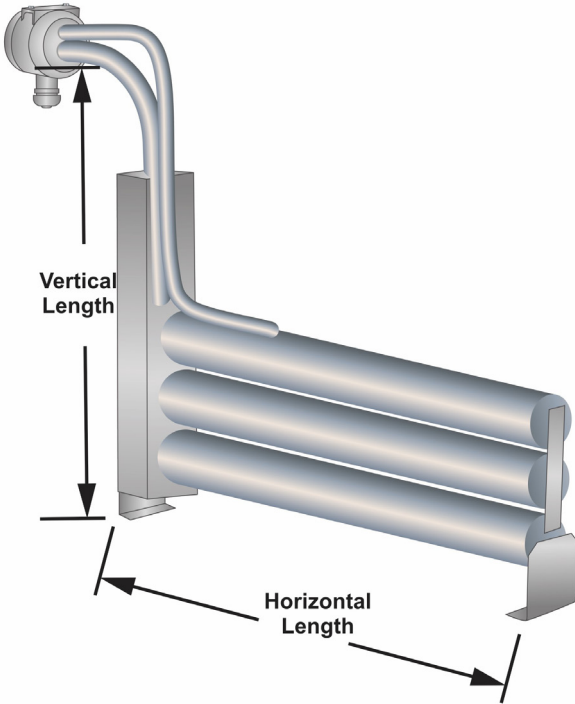
### ORDER CODE

IM-DLX	XX	X	XX	-	XXX	-	
SERIES	WATTAGE	VOLTAGE	HORIZONTAL LENGTH (in)	VERTICAL LENGTH (in)	RISER OPTION	PHASE	
DLP Steel	.5 500W	1 120V	13 .5kW	R15 .5kW	Blank = 90° Horizontal Bend (std)	Blank = Single Phase ( Std)	
DLF 304 stainless steel	1 1000W	2 240V	17 1kW	R37 1kW	S= Straight Riser	-3 = three phase	
DLS 316 stainless steel	1.5 1500W	3 380V	22 1.5kW	R37 1.5kW			
DLT Titanium	2 2000W	4 480V	26 2kW	R37 2kW			
	2.5 2500W	5 415V	31 2.5kW	R37 2.5kW	<b>XX</b>		
	3 3000W	6 600V	36 3kW	R50 3kW	<b>TYPE OF PROTECTOR</b>	<b>WIRE &amp; CONDUIT LENGTH</b>	
	4 4000W	7 400V	44 4kW	R50 4kW	<b>REPLACEABLE FUSE</b>	blank - 36" TEFLON CONDUIT	
	4.5 4500W	8 208V	50 4.5kW	R50 4.5kW	<b>P1</b> (std)- SOLUTIONS UP TO 180°F		
	5 5000W	9 220V	55 5kW	R50 5kW	<b>P4</b> - SOLUTIONS UP TO 230°F	<b>SPECIFY LENGTH - EX. X84 = 84" TEFLON CONDUIT</b>	
	6 6000W	0 200V	64 6kW	R50 6kW	<b>P5</b> - SOLUTIONS UP TO 300°F		
					<b>RESETTABLE FUSE</b>		
					<b>P2</b> - SOLUTIONS UP TO 180°F		
					<b>P6</b> - SOLUTIONS UP TO 230°F		
					<b>P7</b> - SOLUTIONS UP TO 300°F		

EX. IM-DLT3436-R50-S-P1 LOW WATT DENSITY L-SHAPED Titanium Immersion Heater, 3kW, 480V, 36" Horizontal Length, 50" Vertical Length, Straight Riser, P1 Replaceable Fuse for Solutions up to 180degF, 36" Teflon Conduit



**TRIPLE VERTICAL L-SHAPED HEATER**



**INFORMATION**

- Chemical heater
- Durable and efficient
- L-shaped vertical MOTS heater
- Heavy wall metal sheaths (steel, 304 stainless steel, 316 stainless steel, titanium)
- Power range: 3,000-36,000 watts
- Operates on 240-480 volts

**FEAUTRES**

- Heavy wall metal sheaths (steel, 304 stainless steel, 316 stainless steel, titanium) available
- Watt densities up to 35 watts/square inch (5.4 w/cm<sup>2</sup>)
- Polypropylene terminal enclosure:
  - Vapor resistant
  - Flame retardant
  - 3 ft (.9m) flexible Teflon liquid tight conduit
- Grounded construction
- Built-in thermal protector
- Standard replaceable P1 protector for solutions up to 180°F(82°C)



**PROTECTOR / FUSE OPTIONS**

CODE	TYPE OF FUSE	DESCRIPTION
P1	REPLACEABLE	Standard for solutions up to 180°F (82°C)
P4	REPLACEABLE	For solutions from 180 to 230°F (82 to 110°C)
P5	REPLACEABLE	For solutions from 230 to 300°F (110 to 150°C)
P2	RESETTABLE	For solutions up to 180°F (82°C)
P6	RESETTABLE	For solutions from 180 to 230°F (82 to 110°C)
P7	RESETTABLE	For solutions from 230 to 300°F (110 to 150°C)

## STANDARD PARTS

STEEL	304SS	316SS	TITANIUM	WATTS	VOLTS	HORIZONTAL LENGTH	VERTICAL LENGTH
IM-3LVP3213-R*-**	IM-3LVF3213-R*-**	IM-3LVS3213-R*-**	IM-3LVT3213-R*-**	3000 W	240 V	13 "330 mm	15 "381 mm
IM-3LVP3413-R*-**	IM-3LVF3413-R*-**	IM-3LVS3413-R*-**	IM-3LVT3413-R*-**	3000 W	480 V	13 "330 mm	15 "381 mm
IM-3LVP6217-R*-**	IM-3LVF6217-R*-**	IM-3LVS6217-R*-**	IM-3LVT6217-R*-**	6000 W	240 V	17 "432 mm	37 "940 mm
IM-3LVP6417-R*-**	IM-3LVF6417-R*-**	IM-3LVS6417-R*-**	IM-3LVT6417-R*-**	6000 W	480 V	17 "432 mm	37 "940 mm
IM-3LVP9222-R*-**	IM-3LVF9222-R*-**	IM-3LVS9222-R*-**	IM-3LVT9222-R*-**	9000 W	240 V	22 "559 mm	37 "940 mm
IM-3LVP9422-R*-**	IM-3LVF9422-R*-**	IM-3LVS9422-R*-**	IM-3LVT9422-R*-**	9000 W	480 V	22 "559 mm	37 "940 mm
IM-3LVP12226-R*-**	IM-3LVF12226-R*-**	IM-3LVS12226-R*-**	IM-3LVT12226-R*-**	12,000 W	240 V	26 "660 mm	37 "940 mm
IM-3LVP12426-R*-**	IM-3LVF12426-R*-**	IM-3LVS12426-R*-**	IM-3LVT12426-R*-**	12,000 W	480 V	26 "660 mm	37 "940 mm
IM-3LVP15231-R*-**	IM-3LVF15231-R*-**	IM-3LVS15231-R*-**	IM-3LVT15231-R*-**	15,000 W	240 V	31 "787 mm	37 "940 mm
IM-3LVP15431-R*-**	IM-3LVF15431-R*-**	IM-3LVS15431-R*-**	IM-3LVT15431-R*-**	15,000 W	480 V	31 "787 mm	37 "940 mm
IM-3LVP18236-R*-**	IM-3LVF18236-R*-**	IM-3LVS18236-R*-**	IM-3LVT18236-R*-**	18,000 W	240 V	36 "914 mm	50 "1270 mm
IM-3LVP18436-R*-**	IM-3LVF18436-R*-**	IM-3LVS18436-R*-**	IM-3LVT18436-R*-**	18,000 W	480 V	36 "914 mm	50 "1270 mm
IM-3LVP24244-R*-**	IM-3LVF24244-R*-**	IM-3LVS24244-R*-**	IM-3LVT24244-R*-**	24,000 W	240 V	44 "1118 mm	50 "1270 mm
IM-3LVP24444-R*-**	IM-3LVF24444-R*-**	IM-3LVS24444-R*-**	IM-3LVT24444-R*-**	24,000 W	480 V	44 "1118 mm	50 "1270 mm
IM-3LVP27450-R*-**	IM-3LVF27450-R*-**	IM-3LVS27450-R*-**	IM-3LVT27450-R*-**	27,000 W	480 V	50 "1270 mm	50 "1270 mm
IM-3LVP30455-R*-**	IM-3LVF30455-R*-**	IM-3LVS30455-R*-**	IM-3LVT30455-R*-**	30,000 W	480 V	55 "1397 mm	50 "1270 mm
IM-3LVP36464-R*-**	IM-3LVF36464-R*-**	IM-3LVS36464-R*-**	IM-3LVT36464-R*-**	36,000 W	480 V	64 "1626 mm	50 "1270 mm

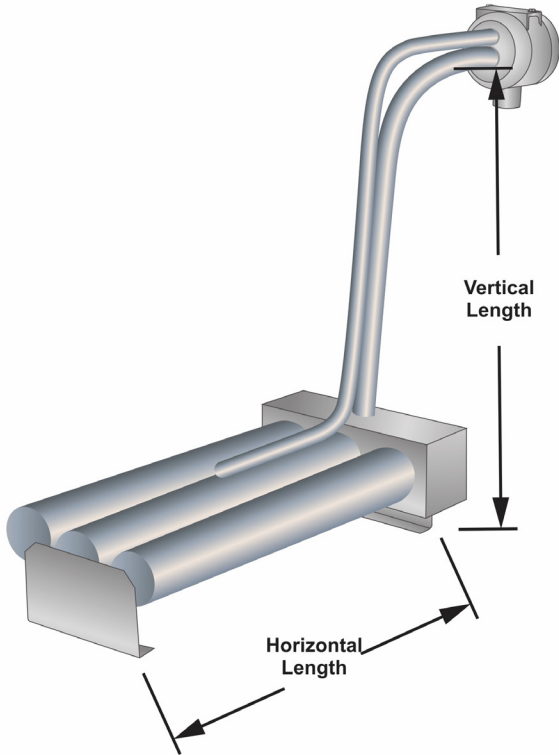
3- phase standard, single phase available. \*Specify Vertical Length \*\*Specify Protector / Fuse

## 3-4 Week Lead Time for Standard & Custom Products!

## ORDER CODE

IM-3LVX		XX	X	XX	-	RXX	-	X	-	
SERIES	WATTAGE	VOLTAGE	HORIZONTAL LENGTH (in)	VERTICAL LENGTH (in)	RISER OPTION	PHASE	WIRE & CONDUIT LENGTH			
3LVP Steel	3 3000W	2 240V	13 3kW	R19 3kW	Blank = 90° Horizontal Bend (std)	Blank = 3 phase ( Std)				
3LVF 304 stainless steel	6 6000W	3 380V	17 6kW	R37 6kW	S= Straight Riser	-1 = single phase				
3LVS 316 stainless steel	9 9000W	4 480V	22 9kW	R37 9kW						
3LVT Titanium	12 12000W	5 415V	26 12kW	R37 12kW	<b>XX</b>	<b>TYPE OF PROTECTOR</b>	<b>REPLACEABLE FUSE</b> blank - 36" TEFLON CONDUIT			
	15 15000W	6 600V	31 15kW	R37 15kW						
	18 18000W	7 400V	36 18kW	R50 18kW						
	24 24000W	8 208V	44 24kW	R50 24kW						
	27 27000W	9 220V	50 27kW	R50 27kW						
	30 30000W	0 200V	55 30kW	R50 30kW						
	36 36000W		64 36kW	R50 36kW						
EX. IM-3LVF27450-R50-S-P7 TRIPLE VERTICAL L-SHAPED 304SS Immersion Heater, 27kW, 480V, 3PH, 50" Horizontal Length, 50" Vertical Length, P7 Resettable Fuse for Solutions up to 300degF, 36" Teflon Conduit							<b>RESETTABLE FUSE</b> P2 - SOLUTIONS UP TO 180°F P6 - SOLUTIONS UP TO 230°F P7 - SOLUTIONS UP TO 300°F			

TRIPLE L-SHAPED HEATER



**INFORMATION**

- Durable and efficient chemical heater
- Bottom style, L-shaped design
- Heavy wall metal sheaths available in steel, 304 stainless steel, 316 stainless steel, and titanium (check with chemical supplier for proper material selection)
- Three phase
- 3000-36000 watts, 240-480 volts

**FEAUTRES**

- Heavy wall metal sheaths available in steel, 304 stainless steel, 316 stainless steel, and titanium
- Watt densities of up to 35 watts/square inch (5.4 w/cm<sup>2</sup>)
- Vapor resistant and flame retardant terminal enclosure made of polypropylene, with 3 ft (.9m) flexible teflon liquid tight conduit
- Grounded construction and built-in thermal protector
- Replaceable P1 protector standard for solutions up to 180°F(82°C)



**PROTECTOR / FUSE OPTIONS**

CODE	TYPE OF FUSE	DESCRIPTION
P1	REPLACEABLE	Standard for solutions up to 180°F (82°C)
P4	REPLACEABLE	For solutions from 180 to 230°F (82 to 110°C)
P5	REPLACEABLE	For solutions from 230 to 300°F (110 to 150°C)
P2	RESETTABLE	For solutions up to 180°F (82°C)
P6	RESETTABLE	For solutions from 180 to 230°F (82 to 110°C)
P7	RESETTABLE	For solutions from 230 to 300°F (110 to 150°C)

## STANDARD PARTS

STEEL	304SS	316SS	TITANIUM	WATTS	VOLTS	HORIZONTAL LENGTH	VERTICAL LENGTH
IM-3LP3213-R**	IM-3LF3213-R**	IM-3LS3213-R**	IM-3LT3213-R**	3000 W	240 V	13 "330 mm	15 "381 mm
IM-3LP3413-R**	IM-3LF3413-R**	IM-3LS3413-R**	IM-3LT3413-R**	3000 W	480 V	13 "330 mm	15 "381 mm
IM-3LP6217-R**	IM-3LF6217-R**	IM-3LS6217-R**	IM-3LT6217-R**	6000 W	240 V	17 "432 mm	37 "940 mm
IM-3LP6417-R**	IM-3LF6417-R**	IM-3LS6417-R**	IM-3LT6417-R**	6000 W	480 V	17 "432 mm	37 "940 mm
IM-3LP9222-R**	IM-3LF9222-R**	IM-3LS9222-R**	IM-3LT9222-R**	9000 W	240 V	22 "559 mm	37 "940 mm
IM-3LP9422-R**	IM-3LF9422-R**	IM-3LS9422-R**	IM-3LT9422-R**	9000 W	480 V	22 "559 mm	37 "940 mm
IM-3LP12226-R**	IM-3LF12226-R**	IM-3LS12226-R**	IM-3LT12226-R**	12,000 W	240 V	26 "660 mm	37 "940 mm
IM-3LP12426-R**	IM-3LF12426-R**	IM-3LS12426-R**	IM-3LT12426-R**	12,000 W	480 V	26 "660 mm	37 "940 mm
IM-3LP15231-R**	IM-3LF15231-R**	IM-3LS15231-R**	IM-3LT15231-R**	15,000 W	240 V	31 "787 mm	37 "940 mm
IM-3LP15431-R**	IM-3LF15431-R**	IM-3LS15431-R**	IM-3LT15431-R**	15,000 W	480 V	31 "787 mm	37 "940 mm
IM-3LP18236-R**	IM-3LF18236-R**	IM-3LS18236-R**	IM-3LT18236-R**	18,000 W	240 V	36 "914 mm	50 "1270 mm
IM-3LP18436-R**	IM-3LF18436-R**	IM-3LS18436-R**	IM-3LT18436-R**	18,000 W	480 V	36 "914 mm	50 "1270 mm
IM-3LP24244-R**	IM-3LF24244-R**	IM-3LS24244-R**	IM-3LT24244-R**	24,000 W	240 V	44 "1118 mm	50 "1270 mm
IM-3LP24444-R**	IM-3LF24444-R**	IM-3LS24444-R**	IM-3LT24444-R**	24,000 W	480 V	44 "1118 mm	50 "1270 mm
IM-3LP27450-R**	IM-3LF27450-R**	IM-3LS27450-R**	IM-3LT27450-R**	27000 W	480 V	50 "1270 mm	50 "1270 mm
IM-3LP30455-R**	IM-3LF30455-R**	IM-3LS30455-R**	IM-3LT30455-R**	30,000 W	480 V	55 "1397 mm	50 "1270 mm
IM-3LP36464-R**	IM-3LF36464-R**	IM-3LS36464-R**	IM-3LT36464-R**	36,000 W	480 V	64 "1626 mm	50 "1270 mm

\*3 phase standard, single phase available. \* Specify Vertical Length. \*\*Specify Protector / Fuse

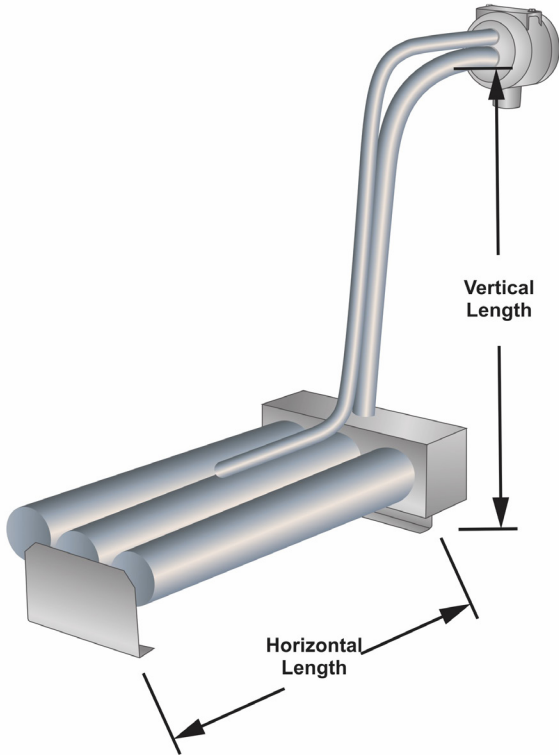
## 3-4 Week Lead Time for Standard & Custom Products!

### ORDER CODE

IM-3XX	XX	X	XX	-	XXX	-	
SERIES	WATTAGE	VOLTAGE	HORIZONTAL LENGTH (in)	VERTICAL LENGTH (in)	RISER OPTION	PHASE	
3LP Steel	3 3000W	1 120V	13 3kW	R15 3kW	Blank = 90° Horizontal Bend (std)	Blank = Three Phase ( Std)	
3LF 304 stainless steel	6 6000W	2 240V	17 6kW	R37 6kW	S= Straight Riser	-1 = single phase	
3LS 316 stainless steel	9 9000W	3 380V	22 9kW	R37 9kW			
3LT Titanium	12 12000W	4 480V	26 12kW	R37 12kW			
	15 15000W	5 415V	31 15kW	R37 15kW	<b>XX</b>		
	18 18000W	6 600V	36 18kW	R50 18kW	<b>TYPE OF PROTECTOR</b>	<b>WIRE &amp; CONDUIT LENGTH</b>	
	24 24000W	7 400V	44 24kW	R50 24kW	<b>REPLACEABLE FUSE</b>	blank - 36" TEFLON CONDUIT	
	27 27000W	8 208V	50 27kW	R50 27kW	<b>P1</b> (std)- SOLUTIONS UP TO 180°F		
	30 30000W	9 220V	55 30kW	R50 30kW	<b>P4</b> - SOLUTIONS UP TO 230°F	<b>SPECIFY LENGTH - EX. X84 = 84" TEFLON CONDUIT</b>	
	36 36000W	0 200V	64 36kW	R50 36kW	<b>P5</b> - SOLUTIONS UP TO 300°F		
					<b>RESETTABLE FUSE</b>		
					<b>P2</b> - SOLUTIONS UP TO 180°F		
					<b>P6</b> - SOLUTIONS UP TO 230°F		
					<b>P7</b> - SOLUTIONS UP TO 300°F		

EX. IM-3LT15431-R37-S-P1 TRIPLE L-SHAPED Titanium Immersion Heater, 15kW, 480V, 3PH, 31" Horizontal Length, 37" Vertical Length, Straight Riser, P1 Replaceable Fuse for Solutions up to 180degF, 36" Teflon Conduit

LOW WATT DENSITY TRIPLE L-SHAPED HEATER



**INFORMATION**

- Durable and efficient chemical heater
- Bottom style, L-shaped design
- Heavy wall metal sheaths available in steel, 304 stainless steel, 316 stainless steel, and titanium (check with chemical supplier for proper material selection)
- Three phase
- 1500-18000 watts, 120-480 volts

**FEAUTRES**

- Heavy wall metal sheaths available in steel, 304 stainless steel, 316 stainless steel, and titanium
- Low watt densities of 18 watts/square inch (2.8 w/cm<sup>2</sup>).
- Vapor resistant and flame retardant terminal enclosure made of polypropylene, with 3 ft (.9m) flexible Teflon liquid tight conduit
- Grounded construction and built-in thermal protector
- Replaceable P1 protector standard for solutions up to 180°F(82°C)



**PROTECTOR / FUSE OPTIONS**

CODE	TYPE OF FUSE	DESCRIPTION
P1	REPLACEABLE	Standard for solutions up to 180°F (82°C)
P4	REPLACEABLE	For solutions from 180 to 230°F (82 to 110°C)
P5	REPLACEABLE	For solutions from 230 to 300°F (110 to 150°C)
P2	RESETTABLE	For solutions up to 180°F (82°C)
P6	RESETTABLE	For solutions from 180 to 230°F (82 to 110°C)
P7	RESETTABLE	For solutions from 230 to 300°F (110 to 150°C)

## STANDARD PARTS

Steel	304SS	316SS	Titanium	Watts	Volts	Horizontal Length	Vertical Length
IM-D3LP1.5113-R**	IM-D3LF1.5113-R**	IM-D3LS1.5113-R**	IM-D3LT1.5113-R**	1500 W	120 V	13 "330 mm	15 "381 mm
IM-D3LP1.5213-R**	IM-D3LF1.5213-R**	IM-D3LS1.5213-R**	IM-D3LT1.5213-R**	1500 W	240 V	13 "330 mm	15 "381 mm
IM-D3LP3217-R**	IM-D3LF3217-R**	IM-D3LS3217-R**	IM-D3LT3217-R**	3000 W	240 V	17 "432 mm	19 "483 mm
IM-D3LP3417-R**	IM-D3LF3417-R**	IM-D3LS3417-R**	IM-D3LT3417-R**	3000 W	480 V	17 "432 mm	19 "483 mm
IM-D3LP4.5222-R**	IM-D3LF4.5222-R**	IM-D3LS4.5222-R**	IM-D3LT4.5222-R**	4500 W	240 V	22 "559 mm	25 "635 mm
IM-D3LP4.5422-R**	IM-D3LF4.5422-R**	IM-D3LS4.5422-R**	IM-D3LT4.5422-R**	4500 W	480 V	22 "559 mm	25 "635 mm
IM-D3LP6226-R**	IM-D3LF6226-R**	IM-D3LS6226-R**	IM-D3LT6226-R**	6000 W	240 V	26 "660 mm	25 "635 mm
IM-D3LP6426-R**	IM-D3LF6426-R**	IM-D3LS6426-R**	IM-D3LT6426-R**	6000 W	480 V	26 "660 mm	25 "635 mm
IM-D3LP7.5231-R**	IM-D3LF7.5231-R**	IM-D3LS7.5231-R**	IM-D3LT7.5231-R**	7500 W	240 V	31 "787 mm	37 "940 mm
IM-D3LP7.5431-R**	IM-D3LF7.5431-R**	IM-D3LS7.5431-R**	IM-D3LT7.5431-R**	7500 W	480 V	31 "787 mm	37 "940 mm
IM-D3LP9236-R**	IM-D3LF9236-R**	IM-D3LS9236-R**	IM-D3LT9236-R**	9000 W	240 V	36 "914 mm	50 "1270 mm
IM-D3LP9436-R**	IM-D3LF9436-R**	IM-D3LS9436-R**	IM-D3LT9436-R**	9000 W	480 V	36 "914 mm	50 "1270 mm
IM-D3LP12244-R**	IM-D3LF12244-R**	IM-D3LS12244-R**	IM-D3LT12244-R**	12,000 W	240 V	44 "1118 mm	50 "1270 mm
IM-D3LP12444-R**	IM-D3LF12444-R**	IM-D3LS12444-R**	IM-D3LT12444-R**	12,000 W	480 V	44 "1118 mm	50 "1270 mm
IM-D3LP13.5250-R**	IM-D3LF13.5250-R**	IM-D3LS13.5250-R**	IM-D3LT13.5250-R**	13500 W	240 V	50 "1270 mm	50 "1270 mm
IM-D3LP13.5450-R**	IM-D3LF13.5450-R**	IM-D3LS13.5450-R**	IM-D3LT13.5450-R**	13500 W	480 V	50 "1270 mm	50 "1270 mm
IM-D3LP15255-R**	IM-D3LF15255-R**	IM-D3LS15255-R**	IM-D3LT15255-R**	15000 W	240 V	55 "1397 mm	50 "1270 mm
IM-D3LP15455-R**	IM-D3LF15455-R**	IM-D3LS15455-R**	IM-D3LT15455-R**	15000 W	480 V	55 "1397 mm	50 "1270 mm
IM-D3LP18264-R**	IM-D3LF18264-R**	IM-D3LS18264-R**	IM-D3LT18264-R**	18,000 W	240 V	64 "1626 mm	50 "1270 mm
IM-D3LP18464-R**	IM-D3LF18464-R**	IM-D3LS18464-R**	IM-D3LT18464-R**	18,000 W	480 V	64 "1626 mm	50 "1270 mm

\*3 phase standard, single phase available. \* Specify Vertical Length. \*\*Specify Protector / Fuse

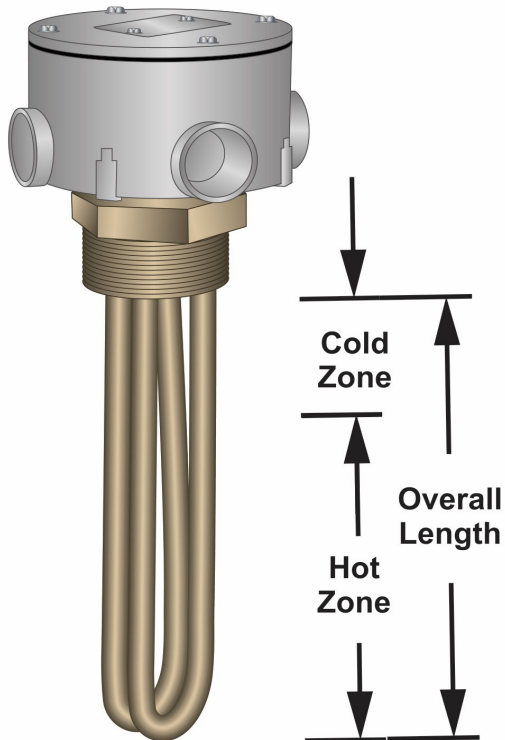
## 3-4 Week Lead Time for Standard & Custom Products!

## ORDER CODE

IM-D3LX	XX	X	XX	-	XXX	-	
SERIES	WATTAGE	VOLTAGE	HORIZONTAL LENGTH (in)	VERTICAL LENGTH (in)	RISER OPTION	PHASE	
D3LP Steel	1.5 1500W	1 120V	13 1.5kW	R15 1.5kW	Blank = 90° Horizontal Bend (std)	Blank = Three Phase ( Std)	
D3LF 304 stainless steel	3 3000W	2 240V	17 3kW	R19 3kW	S= Straight Riser	-1 = single phase	
D3LS 316 stainless steel	4.5 4500W	3 380V	22 4.5kW	R25 4.5kW			
D3LT Titanium	6 6000W	4 480V	26 6kW	R25 6kW			
	7.5 7500W	5 415V	31 7.5kW	R37 7.5kW	<b>XX</b>		
	9 9000W	6 600V	36 9kW	R50 9kW	<b>TYPE OF PROTECTOR</b>	<b>WIRE &amp; CONDUIT LENGTH</b>	
	12 12000W	7 400V	44 12kW	R50 12kW	<b>REPLACEABLE FUSE</b>	blank - 36" TEFLON CONDUIT	
	13.5 13500W	8 208V	50 13.5kW	R50 13.5kW	<b>P1</b> (std)- SOLUTIONS UP TO 180°F		
	15 15000W	9 220V	55 15kW	R50 15kW	<b>P4</b> - SOLUTIONS UP TO 230°F	<b>SPECIFY LENGTH - EX. X84 = 84" TEFLON CONDUIT</b>	
	18 18000W	0 200V	64 18kW	R50 18kW	<b>P5</b> - SOLUTIONS UP TO 300°F		
					<b>RESETTABLE FUSE</b>		
					<b>P2</b> - SOLUTIONS UP TO 180°F		
					<b>P6</b> - SOLUTIONS UP TO 230°F		
					<b>P7</b> - SOLUTIONS UP TO 300°F		

EX. IM-D3LT15455-R50-P1 LOW WATT DENSITY TRIPLE L-SHAPED Titanium Immersion Heater, 15kW, 480V, 3PH, 55" Horizontal Length, 50" Vertical Length, 90 Horizontal Riser, P1 Replaceable Fuse for Solutions up to 180degF, 36" Teflon Conduit

## 2" NPT SCREWPLUG HEATER



### INFORMATION

- Durable, efficient chemical heater
- 316 stainless steel or titanium elements suitable for use in most aqueous alkaline solutions and rinse tanks
- 2 inch screwplug heater
- Power range: 4500-15000 watts
- Operates on 240-480 volts

### FEAUTRES

- 316 stainless steel or titanium elements suitable for use in most aqueous alkaline solutions and rinse tanks
- Watt densities:
  - 316 stainless steel: 45-55 watts/square inch
  - Titanium: <60 watts/square inch
- Vapor resistant, flame retardant PVC terminal enclosure
- Grounded construction



## STANDARD PARTS

MPI P/N	MATERIAL	WATTS	VOLTS	OVERALL LENGTH	THREAD SIZE
IM-2T2208	Stainless Steel	2000 W	240 V	8 "203 mm	2" NPT
IM-2T2408	Stainless Steel	2000 W	480 V	8 "203 mm	2" NPT
IM-2T3212	Stainless Steel	3000 W	240 V	12 "305 mm	2" NPT
IM-2T3412	Stainless Steel	3000 W	480 V	12 "305 mm	2" NPT
IM-2T4218	Stainless Steel	4000 W	240 V	18 "457 mm	2" NPT
IM-2T4418	Stainless Steel	4000 W	480 V	18 "457 mm	2" NPT
IM-2T6225	Stainless Steel	6000 W	240 V	25 "635 mm	2" NPT
IM-2T6425	Stainless Steel	6000 W	480 V	25 "635 mm	2" NPT
IM-2T8232	Stainless Steel	8000 W	240 V	32 "813 mm	2" NPT
IM-2T8432	Stainless Steel	8000 W	480 V	32 "813 mm	2" NPT
IM-2T10240	Stainless Steel	10000 W	240 V	40 "1016 mm	2" NPT
IM-2T10440	Stainless Steel	10000 W	480 V	40 "1016 mm	2" NPT
IM-2T12448	Stainless Steel	12,000 W	480 V	48 "1219 mm	2" NPT
IM-2T15454	Stainless Steel	15000 W	480 V	54 "1372 mm	2" NPT
IM-T2T2208	Titanium	2000 W	240 V	8 "203 mm	2" NPT
IM-T2T2408	Titanium	2000 W	480 V	8 "203 mm	2" NPT
IM-T2T4218	Titanium	4000 W	240 V	18 "457 mm	2" NPT
IM-T2T4418	Titanium	4000 W	480 V	18 "457 mm	2" NPT
IM-T2T6225	Titanium	6000 W	240 V	25 "635 mm	2" NPT
IM-T2T6425	Titanium	6000 W	480 V	25 "635 mm	2" NPT
IM-T2T8232	Titanium	8000 W	240 V	32 "813 mm	2" NPT
IM-T2T8432	Titanium	8000 W	480 V	32 "813 mm	2" NPT
IM-T2T12448	Titanium	12,000 W	480 V	48 "1219 mm	2" NPT

\*Single phase standard, 3-phase available.

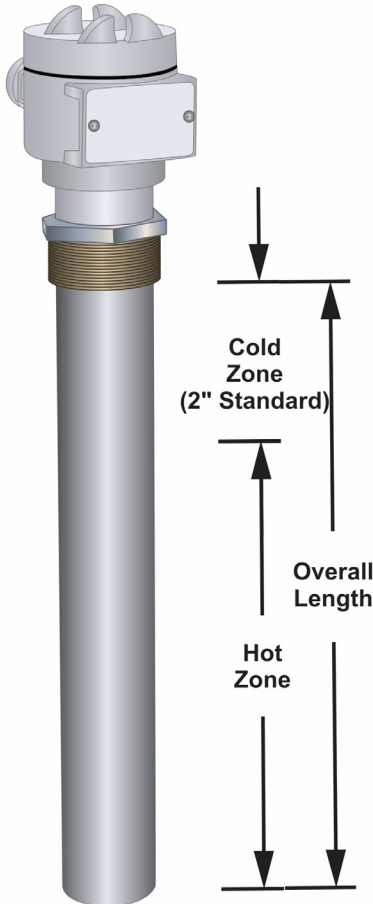
## 3-4 Week Lead Time for Standard & Custom Products!

## ORDER CODE

IM-X	XX	X	XX		
SERIES	WATTAGE	VOLTAGE	OVERALL LENGTH	PHASE / OPTIONS	
2T 316 stainless steel	2 2000W	1 120V	8 2kW	No designator = Single Phase (std)	
T2T Titanium	3 3000W	2 240V	12 3kW	-3 = Three phase power (three elements)	
IN2T Incoloy	4 4000W	3 380V	18 4kW	-M2 = Explosion / Moisture Resisting Housing	
	6 6000W	4 480V	25 6kW	-W = Thermowell	
	8 8000W	5 415V	32 8kW	-T = Integral thermostat	
	10 10000W	6 600V	40 10kW (SS Only)	EX. IM-T2T4218-W 2" NPT TITANIUM Immersion Heater, 4kW, 240V, 18" Overall Length w/ Thermowell	
	12 12000W	7 400V	48 12kW		
	15 15000W	8 208V	54 15kW (SS Only)		
		9 220V			
		0 200V			



## SCREWPLUG METAL HEATER



### INFORMATION

- Durable, efficient chemical heater
- Screwplug heater in 304 stainless steel, 316 stainless steel, or titanium elements suitable for use in most aqueous alkaline solutions and plating and phosphate tanks
- Grounded construction
- Heats up to 180°F (82°C)
- Power range: 1000-12000 watts
- Operates on 120-480 volts

### FEAUTRES

- 304 stainless steel, 316 stainless steel, or titanium elements suitable for use in most aqueous alkaline solutions and plating and phosphate tanks
- Watt densities up to 35 watts/square inch (5.4 w/cm<sup>2</sup>)
- Vapor resistant, flame retardant PVC terminal enclosure with 3 ft. (.9m) flexible Teflon liquid tight conduit
- Grounded construction



## STANDARD PARTS

304SS	316SS	TITANIUM	WATTS	VOLTS	OVERALL LENGTH	THREAD SIZE
IM-FT1110	IM-ST1110	IM-TT1110	1000 W	120 V	10 "254 mm	2" NPT
IM-FT1210	IM-ST1210	IM-TT1210	1000 W	240 V	10 "254 mm	2" NPT
IM-FT2114	IM-ST2114	IM-TT2114	2000 W	120 V	14 "356 mm	2" NPT
IM-FT2214	IM-ST2214	IM-TT2214	2000 W	240 V	14 "356 mm	2" NPT
IM-FT2414	IM-ST2414	IM-TT2414	2000 W	480 V	14 "356 mm	2" NPT
IM-FT3219	IM-ST3219	IM-TT3219	3000 W	240 V	19 "483 mm	2" NPT
IM-FT3419	IM-ST3419	IM-TT3419	3000 W	480 V	19 "483 mm	2" NPT
IM-FT4223	IM-ST4223	IM-TT4223	4000 W	240 V	23 "584 mm	2" NPT
IM-FT4423	IM-ST4423	IM-TT4423	4000 W	480 V	23 "584 mm	2" NPT
IM-FT6233	IM-ST6233	IM-TT6233	6000 W	240 V	33 "838 mm	2" NPT
IM-FT6433	IM-ST6433	IM-TT6433	6000 W	480 V	33 "838 mm	2" NPT
IM-FT8240	IM-ST8240	IM-TT8240	8000 W	240 V	40 "1016 mm	2" NPT
IM-FT8440	IM-ST8440	IM-TT8440	8000 W	480 V	40 "1016 mm	2" NPT
IM-FT9247	IM-ST9247	IM-TT9247	9000 W	240 V	47 "1194 mm	2" NPT
IM-FT9447	IM-ST9447	IM-TT9447	9000 W	480 V	47 "1194 mm	2" NPT
IM-FT12261	IM-ST12261	IM-TT12261	12,000 W	240 V	61 "1549 mm	2" NPT
IM-FT12461	IM-ST12461	IM-TT12461	12,000 W	480 V	61 "1549 mm	2" NPT

\*Single phase standard, 3-phase available.

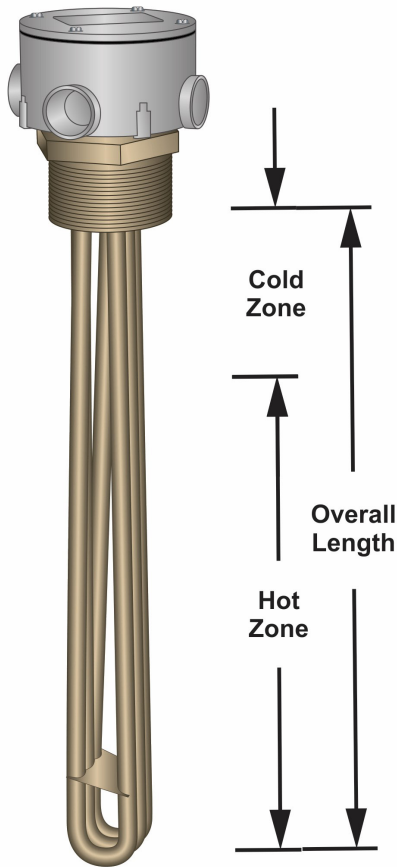
## 3-4 Week Lead Time for Standard & Custom Products!

### ORDER CODE

IM-XX	XX	X	XX		
SERIES	WATTAGE	VOLTAGE	OVERALL LENGTH (in)	OPTIONS	WIRE & CONDUIT LENGTH
FT 304 stainless steel	1 1000	1 120V	10 1kW	No Designator = Single Phase Power (std)	blank - 36" TEFLON CONDUIT
ST 316 stainless steel	2 2000	2 240V	14 2kW		
TT Titanium	3 3000	3 380V	19 3kW	-3 = three Phase Power	SPECIFY LENGTH - EX. X84 = 84" TEFLON CONDUIT
	4 4000	4 480V	23 4kW		
	6 6000	5 415V	33 6kW		
	8 8000	6 600V	40 8kW		
	9 9000	7 400V	47 9kW		
	12 12000	8 208V	61 12kW		
		9 220V	Specify ( custom lengths available )		
		0 200V			

EX. IM-ST4523-X72 SCREWPLUG MET-AL 316SS Immersion Heater, 4kW, 415V, 23" Overall Length, 72" Teflon Conduit

## 2-1/2" NPT SCREWPLUG HEATER

**INFORMATION**

- Durable, efficient chemical heater
- 316 stainless steel or titanium elements suitable for use in most aqueous alkaline solutions and rinse tanks
- 2-1/2 inch screwplug heater
- Power range: 4500-18000 watts
- Operates on 240-480 volts

**FEAUTRES**

- 316 stainless steel or titanium elements suitable for use in most aqueous alkaline solutions and rinse tanks
- Watt densities:
- 316 stainless steel: 45-55 watts/square inch
- Titanium: <60 watts/square inch
- Vapor resistant, flame retardant PVC terminal enclosure
- Grounded construction



## STANDARD PARTS

MPI P/N	MATERIAL	WATTS	VOLTS	OVERALL LENGTH	THREAD SIZE
IM-5T4.5212	Stainless Steel	4500 W	240 V	12 "305 mm	2-1/2" NPT
IM-5T4.5412	Stainless Steel	4500 W	480 V	12 "305 mm	2-1/2" NPT
IM-5T6218	Stainless Steel	6000 W	240 V	18 "460 mm	2-1/2" NPT
IM-5T6418	Stainless Steel	6000 W	480 V	18 "460 mm	2-1/2" NPT
IM-5T9225	Stainless Steel	9000 W	240 V	25 "635 mm	2-1/2" NPT
IM-5T9425	Stainless Steel	9000 W	480 V	25 "635 mm	2-1/2" NPT
IM-5T12232	Stainless Steel	12,000 W	240 V	32 "815 mm	2-1/2" NPT
IM-5T12432	Stainless Steel	12,000 W	480 V	32 "815 mm	2-1/2" NPT
IM-5T15240	Stainless Steel	15,000 W	240 V	40 "1015 mm	2-1/2" NPT
IM-5T15440	Stainless Steel	15,000 W	480 V	40 "1015 mm	2-1/2" NPT
IM-5T18248	Stainless Steel	18,000 W	240 V	48 "1220 mm	2-1/2" NPT
IM-5T18448	Stainless Steel	18,000 W	480 V	48 "1220 mm	2-1/2" NPT
IM-T5T6218	Titanium	6000 W	240 V	18 "460 mm	2-1/2" NPT
IM-T5T6418	Titanium	6000 W	480 V	18 "460 mm	2-1/2" NPT
IM-T5T9225	Titanium	9000 W	240 V	25 "635 mm	2-1/2" NPT
IM-T5T9425	Titanium	9000 W	480 V	25 "635 mm	2-1/2" NPT
IM-T5T12232	Titanium	12,000 W	240 V	32 "815 mm	2-1/2" NPT
IM-T5T12432	Titanium	12,000 W	480 V	32 "815 mm	2-1/2" NPT
IM-T5T18248	Titanium	18,000 W	240 V	48 "1220 mm	2-1/2" NPT
IM-T5T18448	Titanium	18,000 W	480 V	48 "1220 mm	2-1/2" NPT

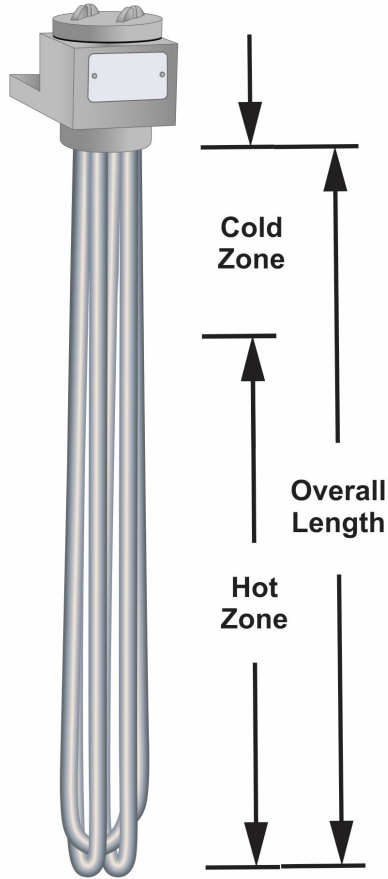
3-phase standard, single phase available.

## 3-4 Week Lead Time for Standard & Custom Products!

## ORDER CODE

IM-XX	XX	X	XX		
SERIES	WATTAGE	VOLTAGE	OVERALL LENGTH	PHASE / OPTIONS	
5T 316 stainless steel	4.5 4500W	2 240V	12 4.5kW	No designator = Three Phase (std)	
T5T Titanium	6 6000W	3 380V	13 6kW	-1 = single phase power	
IN5T Incoloy	9 9000W	4 480V	17 6kW	-M2 = Explosion / Moisture Resisting Housing	
	12 12000W	5 415V	23 9kW	-W = Thermowell	
	15 15000W	6 600V	25 9kW	-T2 = Integral thermostat	
	18 18000W	7 400V	28 12kW		
			8 208V	32 12kW	EX. IM-T5T18248 2-1/2" NPT
		9 220V	38 18kW	SCREWPLUG Immersion Heater, 18kW, 240V, 3PH, 48" Overall Length	
		0 200V	40 15kW		
			40 18kW		

3 ELEMENT METAL HEATER



**INFORMATION**

- Durable, efficient chemical heater
- Designed for use over the side of a container
- Three-element, tubular construction
- Made of:
  - 316 stainless steel
- Consult solution recommendation chart with chemical supplier for proper sheath material selection
- Can be used in three phase systems
- Wattage range: 3000-10500 watts
- Voltages: 240-480

**FEAUTRES**

- Heavy wall metal sheath available in:
  - 316 stainless steel
- High watt density of up to 40 watts/square inch (6.2 w/cm<sup>2</sup>)
- Terminal enclosure made of vapor resistant, flame retardant polypropylene with 3 ft (.9m) flexible Teflon liquid tight conduit
- Grounded construction and built-in thermal protector
- Replaceable P1 protector included for solutions up to 180°F (82°C)



**PROTECTOR / FUSE OPTIONS**

CODE	TYPE OF FUSE	DESCRIPTION
P1	REPLACEABLE	Standard for solutions up to 180°F (82°C)
P4	REPLACEABLE	For solutions from 180 to 230°F (82 to 110°C)
P2	RESETTABLE	For solutions up to 180°F (82°C)
P6	RESETTABLE	For solutions from 180 to 230°F (82 to 110°C)

## STANDARD PARTS

MPI P/N	WATTS	VOLTS	HOT ZONE	OVERALL LENGTH
IM-3HS3217-**	3000 W	240 V	11 "279 mm	17 "432 mm
IM-3HS3417-**	3000 W	480 V	11 "279 mm	17 "432 mm
IM-3HS4.5223-**	4500 W	240 V	16 "406 mm	23 "584 mm
IM-3HS4.5423-**	4500 W	480 V	16 "406 mm	23 "584 mm
IM-3HS7.5229-**	7500 W	240 V	21 "533 mm	29 "737 mm
IM-3HS7.5429-**	7500 W	480 V	21 "533 mm	29 "737 mm
IM-3HS10.5234-**	10500 W	240 V	26 "660 mm	34 "864 mm

\*3-phase standard, single phase available. \*\*Specify Protector / Fuse

### 3-4 Week Lead Time for Standard & Custom Products!

## ORDER CODE

IM-3HS		XX	X	XX	-	XX	
SERIES	WATTAGE	VOLTAGE	OVERALL LENGTH	PHASE	TYPE OF PROTECTOR	WIRE & CONDUIT LENGTH	
3HS 3 element, 316 stainless steel	3 3000W	1 120V	17 3kW	No designator = 3 phase (std)	<b>REPLACEABLE FUSE</b>	blank - 36" TEFLON CONDUIT	
	4.5 4500W	2 240V	23 4.5kW	1= single phase	<b>P1</b> (std)- SOLUTIONS UP TO 180°F	<b>SPECIFY LENGTH</b> - EX. X84 = 84" TEFLON CONDUIT	
	7.5 7500W	3 380V	29 7.5kW		<b>P4</b> - SOLUTIONS UP TO 230°F		
	10.5 10500W	4 480V	34 10.5kW	M = Metal welded junction box (resettable protector required )	<b>P5</b> - SOLUTIONS UP TO 300°F		
		5 415V			<b>RESETTABLE FUSE</b>		
		6 600V			<b>P2</b> - SOLUTIONS UP TO 180°F		
		7 400V			<b>P6</b> - SOLUTIONS UP TO 230°F		
		8 208V			<b>P7</b> - SOLUTIONS UP TO 300°F		
		9 220V					
		0 200V					
EX. IM-3HS4.5523-1-P4 3 ELEMENT 316SS Immersion Heater, 4.5kW, 415V, Single Phase, 23" Overall Length, P4 Replaceable Fuse for Solutions up to 230degF, 36" Teflon Conduit							

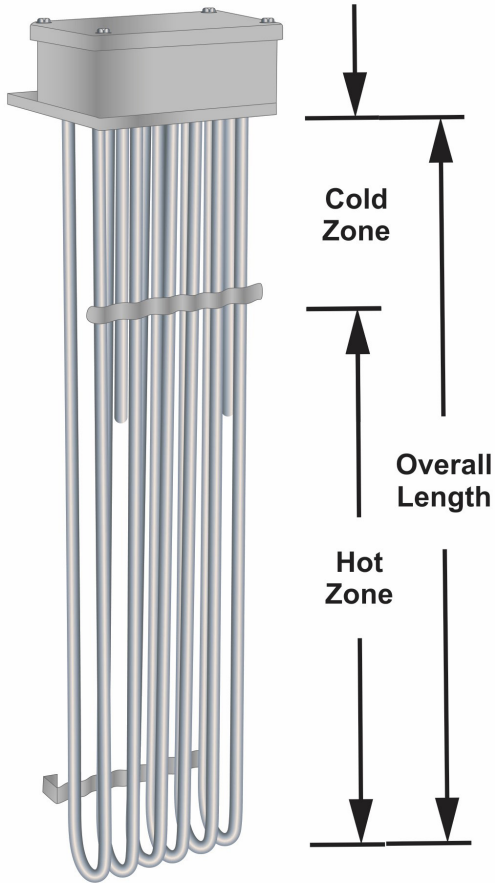
## 6 ELEMENT METAL HEATER

### INFORMATION

- Durable, efficient chemical heater
- Designed for use over the side of a container
- Six-element, tubular construction
- Heavy wall metal sheath made of 316 stainless steel
- Consult solution recommendation chart with chemical supplier for proper sheath material selection
- Corrosion-resistant head
- Can be used in three phase systems
- Wattage range: 6000-21000 watts
- Voltages: 240-480

### FEAUTRES

- Heavy wall metal sheaths made of 316 stainless steel
- Watt densities of up to 40 watts/square inch (6.2 w/cm<sup>2</sup>)
- Vapor resistant and flame retardant terminal enclosure made of polypropylene, with 3 ft (.9m) flexible Teflon liquid tight conduit
- Grounded construction and built-in thermal protector
- Replaceable P1 protector standard for solutions up to 180°F(82°C)



### PROTECTOR / FUSE OPTIONS

CODE	TYPE OF FUSE	DESCRIPTION
P1	REPLACEABLE	Standard for solutions up to 180°F (82°C)
P4	REPLACEABLE	For solutions from 180 to 230°F (82 to 110°C)
P2	RESETTABLE	For solutions up to 180°F (82°C)
P6	RESETTABLE	For solutions from 180 to 230°F (82 to 110°C)

## STANDARD PARTS

MPI P/N	WATTS	VOLTS	HOT ZONE	OVERALL LENGTH
IM-6HS6217-**	6000 W	240 V	10 "254 mm	17 "432 mm
IM-6HS6417-**	6000 W	480 V	10 "254 mm	17 "432 mm
IM-6HS9223-**	9000 W	240 V	16 "406 mm	23 "584 mm
IM-6HS9423-**	9000 W	480 V	16 "406 mm	23 "584 mm
IM-6HS15229-**	15000 W	240 V	20 "508 mm	29 "737 mm
IM-6HS15429-**	15000 W	480 V	20 "508 mm	29 "737 mm
IM-6HS21234-**	21000 W	240 V	25 "635 mm	34 "864 mm
IM-6HS21434-**	21000 W	480 V	25 "635 mm	34 "864 mm

\*3-phase standard, single phase available. \*\*Specify Protector / Fuse

### 3-4 Week Lead Time for Standard & Custom Products!

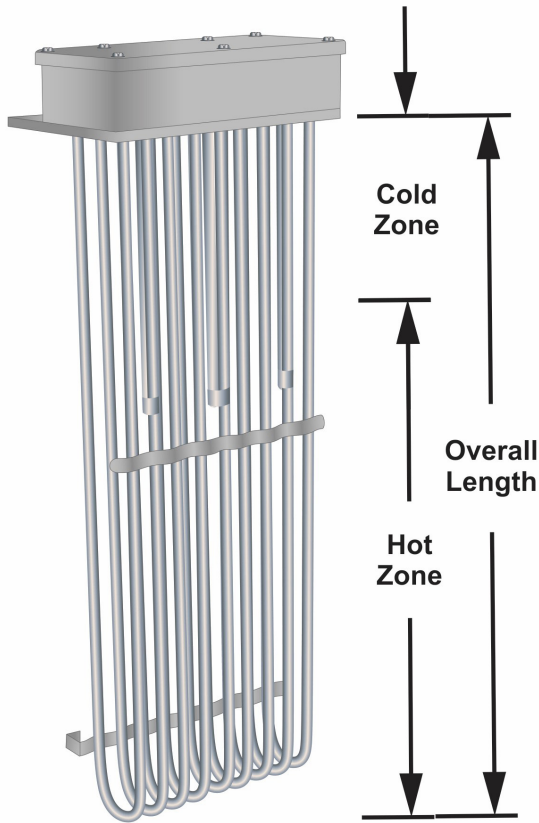
## ORDER CODE

SERIES	WATTAGE	VOLTAGE	OVERALL LENGTH	PHASE	TYPE OF PROTECTOR	WIRE & CONDUIT LENGTH
6HS 6 element, 316 stainless steel	6 6000W	1 120V	17 6kW	No designator = 3 phase (std)	REPLACEABLE FUSE	blank - 36" TEFLON CONDUIT
	9 9000W	2 240V	23 9kW	1= single phase	P1 <sub>(std)</sub> - SOLUTIONS UP TO 180°F	SPECIFY LENGTH - EX. X84 = 84" TEFLON CONDUIT
	15 15000W	3 380V	29 15kW		P4 - SOLUTIONS UP TO 230°F	
	21 21000W	4 480V	34 21kW	P5 - SOLUTIONS UP TO 300°F		
		5 415V		RESETTABLE FUSE		
		6 600V		P2 - SOLUTIONS UP TO 180°F		
		7 400V		P6 - SOLUTIONS UP TO 230°F		
		8 208V		P7 - SOLUTIONS UP TO 300°F		
		9 220V				
		0 200V				

EX. IM-6HS15429-P5 6 ELEMENT 316SS Immersion Heater, 15kW, 480V, 3PH, 29" Overall Length, P5 Replaceable Fuse for Solutions up to 300degF, 36" Teflon Conduit



9 ELEMENT METAL HEATER



**INFORMATION**

- Durable and efficient chemical heater
- 9 element, tubular design
- Heavy wall metal sheaths made of 316 stainless steel (check with chemical supplier for proper material selection)
- Corrosion-resistant head
- Three phase
- 9000-31500 watts, 240-480 volts

**FEAUTRES**

- Heavy wall metal sheaths made of 316 stainless steel
- Watt densities of up to 40 watts/square inch (6.2 w/cm<sup>2</sup>)
- Vapor resistant and flame retardant terminal enclosure made of polypropylene, with 3 ft (.9m) flexible Teflon liquid tight conduit
- Grounded construction and built-in thermal protector
- Replaceable P1 protector standard for solutions up to 180°F(82°C)



**PROTECTOR / FUSE OPTIONS**

CODE	TYPE OF FUSE	DESCRIPTION
P1	REPLACEABLE	Standard for solutions up to 180°F (82°C)
P4	REPLACEABLE	For solutions from 180 to 230°F (82 to 110°C)
P2	RESETTABLE	For solutions up to 180°F (82°C)
P6	RESETTABLE	For solutions from 180 to 230°F (82 to 110°C)

STANDARD PARTS				
MPI P/N	WATTS	VOLTS	HOT ZONE	OVERALL LENGTH
IM-9HS9217-**	9000 W	240 V	10 "254 mm	17 "432 mm
IM-9HS9417-**	9000 W	480 V	10 "254 mm	17 "432 mm
IM-9HS13.5223-**	13500 W	240 V	16 "406 mm	23 "584 mm
IM-9HS13.5423-**	13500 W	480 V	16 "406 mm	23 "584 mm
IM-9HS22.5229-**	22500 W	240 V	20 "508 mm	29 "737 mm
IM-9HS22.5429-**	22500 W	480 V	20 "508 mm	29 "737 mm
IM-9HS31.5234-**	31500 W	240 V	25 "635 mm	34 "864 mm
IM-9HS31.5434-**	31500 W	480 V	25 "635 mm	34 "864 mm

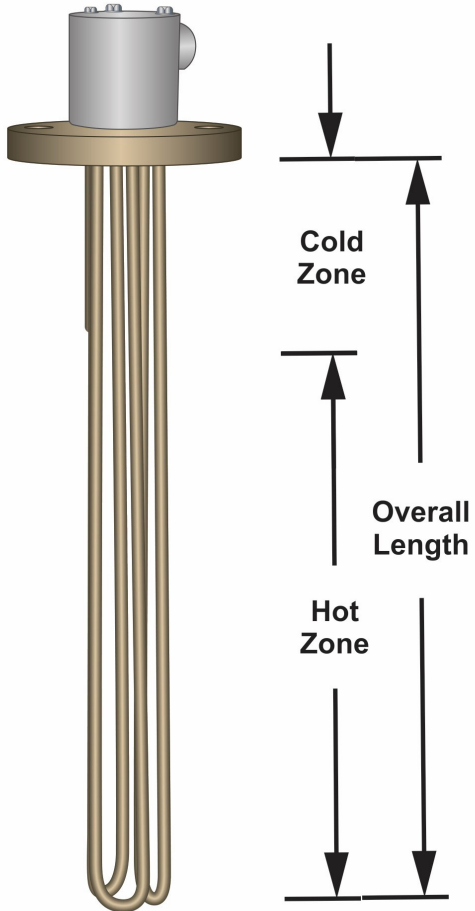
\*3-phase standard, single phase available. \*\*Specify Protector / Fuse

## 3-4 Week Lead Time for Standard & Custom Products!

ORDER CODE						
SERIES	WATTAGE	VOLTAGE	OVERALL LENGTH	PHASE	TYPE OF PROTECTOR	WIRE & CONDUIT LENGTH
9HS 9 element, 316 stainless steel	9 9000W	2 240V	17 9kW	No Designator = 3 Phase Power (std)	REPLACEABLE FUSE	blank - 36" TEFLON CONDUIT
	13.5 13500W	3 380V	23 13.5kW	-1 = Single Phase Power	P1 <sub>(std)</sub> - SOLUTIONS UP TO 180°F	SPECIFY LENGTH - EX. X84 = 84" TEFLON CONDUIT
	22.5 22500W	4 480V	29 22.5kW		P4 - SOLUTIONS UP TO 230°F	
	31.5 31500W	5 415V	34 31.5kW		P5 - SOLUTIONS UP TO 300°F	
		6 600V			RESETTABLE FUSE	
		7 400V			P2 - SOLUTIONS UP TO 180°F	
		8 208V			P6 - SOLUTIONS UP TO 230°F	
		9 220V			P7 - SOLUTIONS UP TO 300°F	
		0 200V				

EX. IM-9HS31.5634-P2 9 ELEMENT 316SS Immersion Heater, 31.5kW, 600V, 3PH, 34" Overall Length, P2 Resettable Fuse for Solutions up to 180degF, 36" Teflon Conduit

3" 5" 6" FLANGED METAL HEATERS



**INFORMATION**

- Chemical heater that is durable and efficient
- Heavy wall metal sheaths available in 316 stainless steel and titanium, with 316 stainless steel as the standard
- M2 terminal enclosure made of metal and resistant to explosions
- Consult solution recommendation chart from chemical supplier to choose the appropriate sheath material
- Available in 3", 5", and 6" flange sizes
- Power range of 3000-72000 watts at voltages of 240-480

**FEAUTRES**

- Heavy wall metal sheaths available in 316 stainless steel and titanium
- Watt densities up to 40 watts/square inch (6.2 w/cm<sup>2</sup>)
- 3 ft (.9m) flexible Teflon liquid tight conduit included
- Grounded construction with built-in thermal protector
- Replaceable P1 protector standard for solutions up to 180°F (82°C)



**PROTECTOR / FUSE OPTIONS**

CODE	TYPE OF FUSE	DESCRIPTION
P1	REPLACEABLE	Standard for solutions up to 180°F (82°C)
P4	REPLACEABLE	For solutions up to 230°F (110°C)
P5	REPLACEABLE	For solutions up to 300°F (150°C)
P2	RESETTABLE	For solutions up to 180°F (82°C)
P6	RESETTABLE	For solutions up to 230°F (110°C)
P7	RESETTABLE	For solutions up to 300°F (150°C)

## STANDARD PARTS

MPI P/N	Material	Watts	Volts	Overall Length	Flange Size	Number of Elements
IM-3FLS3209-**	Stainless Steel	3000 W	240 V	9 "229 mm	3" 150lbs	3
IM-3FLS3409-**	Stainless Steel	3000 W	480 V	9 "229 mm	3" 150lbs	3
IM-3FLS4.5213-**	Stainless Steel	4500 W	240 V	13 "330 mm	3" 150lbs	3
IM-3FLS4.5413-**	Stainless Steel	4500 W	480 V	13 "330 mm	3" 150lbs	3
IM-3FLS6219-**	Stainless Steel	6000 W	240 V	19 "483 mm	3" 150lbs	3
IM-3FLS6419-**	Stainless Steel	6000 W	480 V	19 "483 mm	3" 150lbs	3
IM-3FLS9226-**	Stainless Steel	9000 W	240 V	26 "660 mm	3" 150lbs	3
IM-3FLS9426-**	Stainless Steel	9000 W	480 V	26 "660 mm	3" 150lbs	3
IM-3FLS12233-**	Stainless Steel	12,000 W	240 V	33 "838 mm	3" 150lbs	3
IM-3FLS12433-**	Stainless Steel	12,000 W	480 V	33 "838 mm	3" 150lbs	3
IM-3FLS15241-**	Stainless Steel	15000 W	240 V	41 "1041 mm	3" 150lbs	3
IM-3FLS15441-**	Stainless Steel	15000 W	480 V	41 "1041 mm	3" 150lbs	3
IM-3FLS18249-**	Stainless Steel	18,000 W	240 V	49 "1245 mm	3" 150lbs	3
IM-3FLS18449-**	Stainless Steel	18,000 W	480 V	49 "1245 mm	3" 150lbs	3
IM-5FLS6209-**	Stainless Steel	6000 W	240 V	9 "229 mm	5" 150lbs	6
IM-5FLS6409-**	Stainless Steel	6000 W	480 V	9 "229 mm	5" 150lbs	6
IM-5FLS9213-**	Stainless Steel	9000 W	240 V	13 "330 mm	5" 150lbs	6
IM-5FLS9413-**	Stainless Steel	9000 W	480 V	13 "330 mm	5" 150lbs	6
IM-5FLS12219-**	Stainless Steel	12,000 W	240 V	19 "483 mm	5" 150lbs	6
IM-5FLS12419-**	Stainless Steel	12,000 W	480 V	19 "483 mm	5" 150lbs	6
IM-5FLS18226-**	Stainless Steel	18,000 W	240 V	26 "660 mm	5" 150lbs	6
IM-5FLS18426-**	Stainless Steel	18,000 W	480 V	26 "660 mm	5" 150lbs	6
IM-5FLS24233-**	Stainless Steel	24,000 W	240 V	33 "838 mm	5" 150lbs	6
IM-5FLS24433-**	Stainless Steel	24,000 W	480 V	33 "838 mm	5" 150lbs	6
IM-5FLS30241-**	Stainless Steel	30,000 W	240 V	41 "1041 mm	5" 150lbs	6
IM-5FLS30441-**	Stainless Steel	30,000 W	480 V	41 "1041 mm	5" 150lbs	6
IM-5FLS36249-**	Stainless Steel	36,000 W	240 V	49 "1245 mm	5" 150lbs	6
IM-5FLS36449-**	Stainless Steel	36,000 W	480 V	49 "1245 mm	5" 150lbs	6
IM-6FLS12209-**	Stainless Steel	12,000 W	240 V	9 "229 mm	6" 150lbs	12
IM-6FLS12409-**	Stainless Steel	12,000 W	480 V	9 "229 mm	6" 150lbs	12
IM-6FLS18213-**	Stainless Steel	18,000 W	240 V	13 "330 mm	6" 150lbs	12
IM-6FLS18413-**	Stainless Steel	18,000 W	480 V	13 "330 mm	6" 150lbs	12
IM-6FLS24219-**	Stainless Steel	24,000 W	240 V	19 "483 mm	6" 150lbs	12
IM-6FLS24419-**	Stainless Steel	24,000 W	480 V	19 "483 mm	6" 150lbs	12
IM-6FLS36226-**	Stainless Steel	36,000 W	240 V	26 "660 mm	6" 150lbs	12

## STANDARD PARTS cont.

IM-6FLS36426-**	Stainless Steel	36,000 W	480 V	26 "660 mm	6" 150lbs	12
IM-6FLS48233-**	Stainless Steel	48,000 W	240 V	33 "838 mm	6" 150lbs	12
IM-6FLS48433-**	Stainless Steel	48,000 W	480 V	33 "838 mm	6" 150lbs	12
IM-6FLS60241-**	Stainless Steel	60,000 W	240 V	41 "1041 mm	6" 150lbs	12
IM-6FLS60441-**	Stainless Steel	60,000 W	480 V	41 "1041 mm	6" 150lbs	12
IM-6FLS72249-**	Stainless Steel	72,000 W	240 V	49 "1245 mm	6" 150lbs	12
IM-6FLS72449-**	Stainless Steel	72,000 W	480 V	49 "1245 mm	6" 150lbs	12

**\*\*Specify Protector / Fuse**

## 3-4 Week Lead Time for Standard & Custom Products!

### ORDER CODE

IM-X	FLX	XX	X	XX	-	M2	-	XX
FLANGE SIZE	SERIES	WATTAGE	VOLTAGE	OVERALL LENGTH		HEATER HEAD		WIRE & CONDUIT LENGTH
3 = 3"	FLS = 316 stainless steel	3000 - 72000	2 240V	Consult model chart for length		M2 = Metal Head		blank - 36" TEFLON CONDUIT
5 = 5"			3 380V					
6 = 6"	FLT = Titanium		4 480V					
			5 415V					
			6 600V					
			7 400V					
EX. IM-6FLS24519-M2-P1 6" FLANGED METAL 316SS Immersion Heater, 24kW, 415V, 19" Overall Length, Metal Head, P1 Replaceable Fuse for Solutions up to 180degF, 36" Teflon Conduit								
							<b>REPLACEABLE FUSE</b>	
							P1 (std)- SOLUTIONS UP TO 180°F	
							P4 - SOLUTIONS UP TO 230°F	SPECIFY LENGTH
							P5 - SOLUTIONS UP TO 300°F	- EX. X84 = 84" TEFLON CONDUIT
							<b>RESETTABLE FUSE</b>	
							P2 - SOLUTIONS UP TO 180°F	
							P6 - SOLUTIONS UP TO 220°F	
							P7 - SOLUTIONS UP TO 300°F	