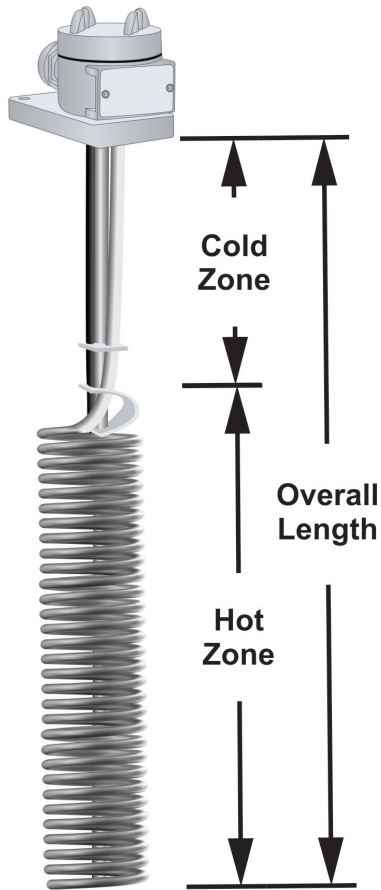


SPIRAL PTFE HEATERS



INFORMATION

- Fluoropolymer (PTFE) heaters are an excellent choice for heating Aqueous acid, alkaline, anodizing and pickling solutions up to 212F (100 C).
- Offers thick gauge stainless steel tubular elements covered with heavy wall fluoropolymer (PTFE) reducing permeation, eliminating the need for gas purge systems. This product is an excellent choice for heating electroless chemistries – not for use in Chromic Acid.

FEAUTRES

- PTFE sleeved 304 stainless elements inert to most solutions up to 212°F (100°C).
- Low watt density design 10 watts/square inch (1.5w/cm²).
- Vapor resistant, flame retardant polypropylene terminal enclosure with 3 ft (.9m) flexible Teflon liquid tight conduit.
- Grounded internal metal element and built in thermal protector. Replaceable P1 protector standard for solutions up to 180°F(82°C).



PROTECTOR / FUSE OPTIONS

CODE	TYPE OF FUSE	DESCRIPTION
P1	REPLACEABLE	Standard for solutions up to 190°F (88°C)
P2	RESETTABLE	For solutions up to 190°F (88°C)
P8	RESETTABLE	For solutions up to 210°F (99°C)
P3	RESETTABLE	For solutions up to 250°F (121°C)

STANDARD PARTS

MPI P/N	WATTS	VOLTS	HOT ZONE	OVERALL LENGTH	STD COLD ZONE
IM-HX.5111-**. **	500 W	120 V	5 "127 mm	11 "279 mm	6 "155 mm
IM-HX.5211-**. **	500 W	240 V	5 "127 mm	11 "279 mm	6 "155 mm
IM-HX1111-**. **	1000 W	120 V	7 "178 mm	11 "279 mm	4 "100 mm
IM-HX1211-**. **	1000 W	240 V	7 "178 mm	11 "279 mm	4 "100 mm
IM-HX2117-**. **	2000 W	120 V	12 "305 mm	17 "432 mm	5 "125 mm
IM-HX2217-**. **	2000 W	240 V	12 "305 mm	17 "432 mm	5 "125 mm
IM-HX2417-**. **	2000 W	480 V	12 "305 mm	17 "432 mm	5 "125 mm
IM-HX3223-**. **	3000 W	240 V	16 "406 mm	23 "584 mm	7 "180 mm
IM-HX3423-**. **	3000 W	480 V	16 "406 mm	23 "584 mm	7 "180 mm
IM-HX4229-**. **	4000 W	240 V	20 "508 mm	29 "737 mm	9 "230 mm
IM-HX4429-**. **	4000 W	480 V	20 "508 mm	29 "737 mm	9 "230 mm
IM-HX5235-**. **	5000 W	240 V	25 "635 mm	35 "889 mm	10 "255 mm
IM-HX5435-**. **	5000 W	480 V	25 "635 mm	35 "889 mm	10 "255 mm
IM-HX6240-**. **	6000 W	240 V	29 "737 mm	40 "1016 mm	11 "280 mm
IM-HX6440-**. **	6000 W	480 V	29 "737 mm	40 "1016 mm	11 "280 mm
IM-2HX8247-**. **	8000 W	240 V	37 "940 mm	47 "1194 mm	10 "255 mm
IM-2HX8447-**. **	8000 W	480 V	37 "940 mm	47 "1194 mm	10 "255 mm
IM-2HX9254-**. **	9000 W	240 V	44 "1118 mm	54 "1372 mm	10 "255 mm
IM-2HX9454-**. **	9000 W	480 V	44 "1118 mm	54 "1372 mm	10 "255 mm

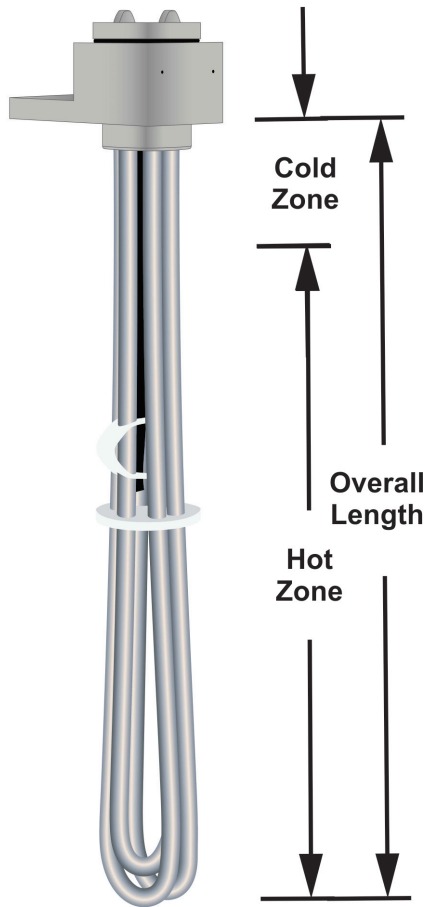
Single phase only. **. **Specify Protector / Fuse

3-4 Week Lead Time for Standard & Custom Products!

ORDER CODE

IM-HX	XX	X	XX	-	XX	
SERIES	WATTAGE	VOLTAGE	OVERALL LENGTH	TYPE OF PROTECTOR	WIRE & CONDUIT LENGTH	
HX - 1 Element	.5 500W	1 120V	11 0.5kW	REPLACEABLE FUSE	blank - 36" TEFLON CONDUIT	
2 HX - 2 Element	1 1000W	2 240V	11 1kW	P1 _(std) - SOLUTIONS UP TO 190°F		
	2 2000W	3 380V	17 2kW	RESETTABLE FUSE	SPECIFY LENGTH - EX. X84 = 84" TEFLON CONDUIT	
	3 3000W	4 480V	23 3kW	P2 - SOLUTIONS UP TO 190°F		
	4 4000W	5 415V	29 4kW	P8 - SOLUTIONS UP TO 210°F		
	5 5000W	6 600V	35 5kW	P3 - SOLUTIONS UP TO 250°F		
	6 6000W	7 400V	40 6kW	EX. IM-HX2617-P8	PTFE SPIRAL	
	8 8000W	8 208V	47 8kW	Immersion Heater, 2kW, 600V, 17" Overall Length, P8 Resettable Fuse for Solutions up to 210degF, 36" Teflon Conduit		
	9 9000W	9 220V	54 9kW			
	0 200V		Specify custom lengths			

3 ELEMENT PTFE HEATERS



INFORMATION

- Fluoropolymer (PTFE) heaters are an excellent choice for heating Aqueous acid, alkaline, anodizing and pickling solutions up to 212F (100 C).
- Offers thick gauge stainless steel tubular elements covered with heavy wall fluoropolymer (PTFE) reducing permeation, eliminating the need for gas purge systems. This product is an excellent choice for heating electroless chemistries – not for use in Chromic Acid.

FEAUTRES

- PTFE sleeved 304 stainless elements inert to most solutions up to 212°F (100°C).
- Low watt density design 10 watts/square inch (1.5w/cm²).
- Vapor resistant, flame retardant polypropylene terminal enclosure with 3 ft (.9m) flexible Teflon liquid tight conduit.
- Grounded internal metal element and built in thermal protector. Replaceable P1 protector standard for solutions up to 180°F(82°C).



PROTECTOR / FUSE OPTIONS

CODE	TYPE OF FUSE	DESCRIPTION
P1	REPLACEABLE	Standard for solutions up to 190°F (88°C)
P2	RESETTABLE	For solutions up to 190°F (88°C)
P8	RESETTABLE	For solutions up to 210°F (99°C)
P3	RESETTABLE	For solutions up to 250°F (121°C)

STANDARD PARTS				
MPI P/N	WATTS	VOLTS	HOT ZONE	OVERALL LENGTH
IM-3HX1117-**	1000 W	120 V	10 "254 mm	17 "432 mm
IM-3HX1217-**	1000 W	240 V	10 "254 mm	17 "432 mm
IM-3HX1.5123-**	1500 W	120 V	16 "406 mm	23 "584 mm
IM-3HX1.5223-**	1500 W	240 V	16 "406 mm	23 "584 mm
IM-3HX1.5423-**	1500 W	480 V	16 "406 mm	23 "584 mm
IM-3HX2229-**	2000 W	240 V	22 "559 mm	29 "737 mm
IM-3HX2429-**	2000 W	480 V	22 "559 mm	29 "737 mm
IM-3HX3235-**	3000 W	240 V	29 "737 mm	35 "889 mm
IM-3HX3435-**	3000 W	480 V	29 "737 mm	35 "889 mm
IM-3HX4247-**	4000 W	240 V	39 "991 mm	47 "1194 mm
IM-3HX4447-**	4000 W	480 V	39 "991 mm	47 "1194 mm
IM-3HX5259-**	5000 W	240 V	48 "1219 mm	59 "1499 mm
IM-3HX5459-**	5000 W	480 V	48 "1219 mm	59 "1499 mm
IM-3HX6268-**	6000 W	240 V	56 "1422 mm	68 "1727 mm
IM-3HX6468-**	6000 W	480 V	56 "1422 mm	68 "1727 mm

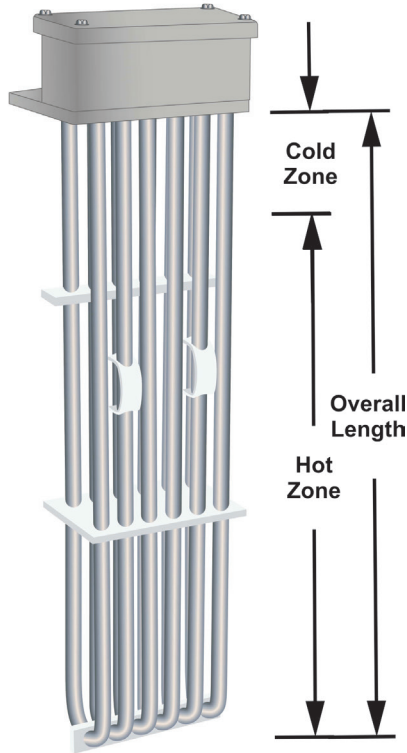
3-phase standard, Single Phase Available. **Specify Protector / Fuse

3-4 Week Lead Time for Standard & Custom Products!

ORDER CODE

IM-3HX XX X XX - XX						
SERIES	WATTAGE	VOLTAGE	OVERALL LENGTH	PHASE	TYPE OF PROTECTOR	WIRE & CONDUIT LENGTH
3HX - 3 element PTFE sheathed	1 1000W	1 120V	17 1kW	3 phase (std), No designator	REPLACEABLE FUSE	blank - 36" TEFLON CONDUIT
	1.5 1500W	2 240V	23 1.5kW		P1(std)- SOLUTIONS UP TO 190°F	
	2 2000W	3 380V	29 2kW	1 = Single Phase	RESETTABLE FUSE	SPECIFY LENGTH - EX. X84 = 84" TEFLON CONDUIT
	3 3000W	4 480V	35 3kW		P2 - SOLUTIONS UP TO 190°F	
	4 4000W	5 415V	47 4kW		P8 - SOLUTIONS 190°F TO 210°F	
	5 5000W	6 600V	59 5kW		P3 - SOLUTIONS 210°F TO 250°F	
	6 6000W	7 400V	68 6kW			
		8 208V				
		9 220V				
		0 200V				
EX. IM-3HX3535-1-P3 3 ELEMENT PTFE HEATER, 3kW, 415V, Single Phase, 35" OAL, P3 Resettable Fuse for Solutions from 210degF to 250degF, 36" Teflon Conduit						

6 ELEMENT PTFE HEATERS



INFORMATION

- Fluoropolymer (PTFE) heaters are an excellent choice for heating Aqueous acid, alkaline, anodizing and pickling solutions up to 212F (100 C).
- Offers thick gauge stainless steel tubular elements covered with heavy wall fluoropolymer (PTFE) reducing permeation, eliminating the need for gas purge systems. This product is an excellent choice for heating electroless chemistries – not for use in Chromic Acid.

FEAUTRES

- PTFE sleeved 304 stainless elements inert to most solutions up to 212°F (100°C).
- Low watt density design 10 watts/square inch (1.5w/cm²).
- Vapor resistant, flame retardant polypropylene terminal enclosure with 3 ft (.9m) flexible Teflon liquid tight conduit.
- Grounded internal metal element and built in thermal protector. Replaceable P1 protector standard for solutions up to 180°F(82°C).



PROTECTOR / FUSE OPTIONS

CODE	TYPE OF FUSE	DESCRIPTION
P1	REPLACEABLE	Standard for solutions up to 190°F (88°C)
P2	RESETTABLE	For solutions up to 190°F (88°C)
P8	RESETTABLE	For solutions up to 210°F (99°C)
P3	RESETTABLE	For solutions up to 250°F (121°C)

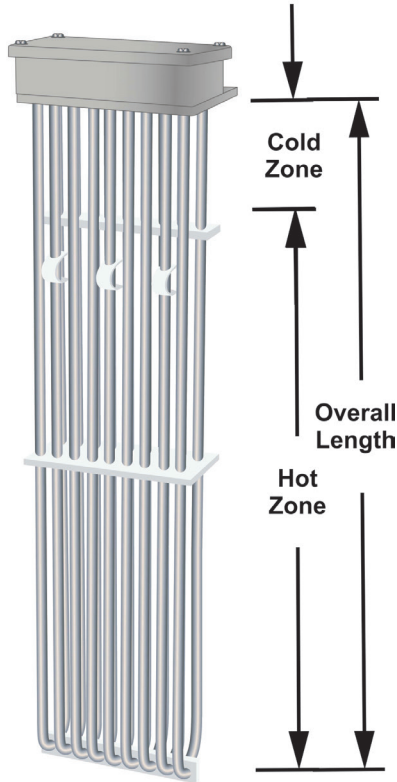
STANDARD PARTS				
MPI P/N	WATTS	VOLTS	HOT ZONE	OVERALL LENGTH
IM-6HX2117-**	2000 W	120 V	9 "229 mm	17 "432 mm
IM-6HX2217-**	2000 W	240 V	9 "229 mm	17 "432 mm
IM-6HX2417-**	2000 W	480 V	9 "229 mm	17 "432 mm
IM-6HX3223-**	3000 W	240 V	15 "381 mm	23 "584 mm
IM-6HX3423-**	3000 W	480 V	15 "381 mm	23 "584 mm
IM-6HX4229-**	4000 W	240 V	21 "533 mm	29 "737 mm
IM-6HX4429-**	4000 W	480 V	21 "533 mm	29 "737 mm
IM-6HX6235-**	6000 W	240 V	28 "711 mm	35 "889 mm
IM-6HX6435-**	6000 W	480 V	28 "711 mm	35 "889 mm
IM-6HX8247-**	8000 W	240 V	38 "965 mm	47 "1194 mm
IM-6HX8447-**	8000 W	480 V	38 "965 mm	47 "1194 mm
IM-6HX10259-**	10000 W	240 V	47 "1194 mm	59 "1499 mm
IM-6HX10459-**	10000 W	480 V	47 "1194 mm	59 "1499 mm
IM-6HX12268-**	12,000 W	240 V	55 "1397 mm	68 "1727 mm
IM-6HX12468-**	12,000 W	480 V	55 "1397 mm	68 "1727 mm

3-phase standard, Single Phase Available. **Specify Protector / Fuse

3-4 Week Lead Time for Standard & Custom Products!

ORDER CODE							
IM-6HX	XX	X	XX	-	XX	WIRE & CONDUIT LENGTH	
SERIES	WATTAGE	VOLTAGE	OVERALL LENGTH	PHASE	TYPE OF PROTECTOR		
6HX - 6 element PTFE sheathed	2 2000W	1 120V	17 2kW	No Designator = 3 Phase (std) 1 = Single Phase	REPLACEABLE FUSE	blank - 36" TEFLON CONDUIT	
	3 3000W	2 240V	23 3kW		P1(std)- SOLUTIONS UP TO 190°F		
	4 4000W	3 380V	29 4kW		RESETTABLE FUSE		
	6 6000W	4 480V	35 6kW		P2 - SOLUTIONS UP TO 190°F		
	8 8000W	5 415V	47 8kW		P8 - SOLUTIONS 190°F TO 210°F		
	10 10000W	6 600V	59 10kW		P3 - SOLUTIONS 210°F TO 250°F		
	12 12000W	7 400V	68 12kW				
		8 208V					
		9 220V					
		0 200V					
							EX. IM-6HX8247-P8-X120 6 ELEMENT PTFE HEATER, 8kW, 240V, 3PH, 47" OAL, P8 Resettable Fuse for Solutions from 190degF to 210degF, 120" Teflon Conduit

9 ELEMENT PTFE HEATERS



INFORMATION

- Fluoropolymer (PTFE) heaters are an excellent choice for heating Aqueous acid, alkaline, anodizing and pickling solutions up to 212F (100 C).
- Offers thick gauge stainless steel tubular elements covered with heavy wall fluoropolymer (PTFE) reducing permeation, eliminating the need for gas purge systems. This product is an excellent choice for heating electroless chemistries – not for use in Chromic Acid.

FEAUTRES

- PTFE sleeved 304 stainless elements inert to most solutions up to 212°F (100°C).
- Low watt density design 10 watts/square inch (1.5w/cm²).
- Vapor resistant, flame retardant polypropylene terminal enclosure with 3 ft (.9m) flexible Teflon liquid tight conduit.
- Grounded internal metal element and built in thermal protector. Replaceable P1 protector standard for solutions up to 180°F(82°C).



PROTECTOR / FUSE OPTIONS

CODE	TYPE OF FUSE	DESCRIPTION
P1	REPLACEABLE	Standard for solutions up to 190°F (88°C)
P2	RESETTABLE	For solutions up to 190°F (88°C)
P8	RESETTABLE	For solutions up to 210°F (99°C)
P3	RESETTABLE	For solutions up to 250°F (121°C)

STANDARD PARTS

MPI P/N	WATTS	VOLTS	HOT ZONE	OVERALL LENGTH
IM-9HX3217-**. **	3000 W	240 V	9 "229 mm	17 "432 mm
IM-9HX3417-**. **	3000 W	480 V	9 "229 mm	17 "432 mm
IM-9HX4.5223-**. **	4500 W	240 V	15 "381 mm	23 "584 mm
IM-9HX4.5423-**. **	4500 W	480 V	15 "381 mm	23 "584 mm
IM-9HX6229-**. **	6000 W	240 V	21 "533 mm	29 "737 mm
IM-9HX6429-**. **	6000 W	480 V	21 "533 mm	29 "737 mm
IM-9HX9235-**. **	9000 W	240 V	28 "711 mm	35 "889 mm
IM-9HX9435-**. **	9000 W	480 V	28 "711 mm	35 "889 mm
IM-9HX12247-**. **	12,000 W	240 V	38 "965 mm	47 "1194 mm
IM-9HX12447-**. **	12,000 W	480 V	38 "965 mm	47 "1194 mm
IM-9HX15259-**. **	15,000 W	240 V	47 "1194 mm	59 "1499 mm
IM-9HX15459-**. **	15,000 W	480 V	47 "1194 mm	59 "1499 mm
IM-9HX18268-**. **	18,000 W	240 V	55 "1397 mm	68 "1727 mm
IM-9HX18468-**. **	18,000 W	480 V	55 "1397 mm	68 "1727 mm

3-phase standard, Single Phase Available. **. **Specify Protector / Fuse

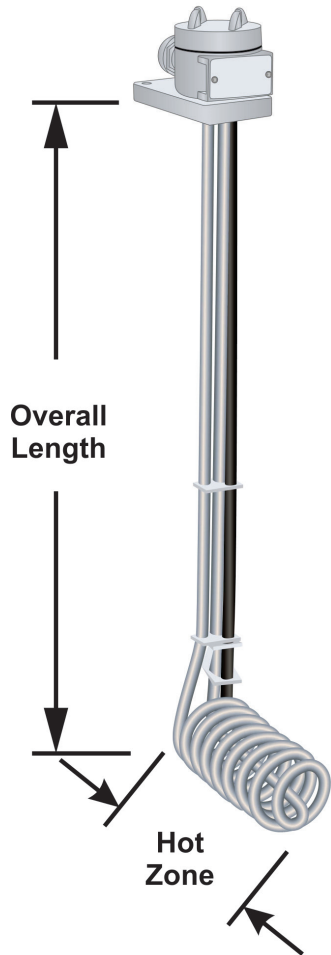
3-4 Week Lead Time for Standard & Custom Products!

ORDER CODE

IM-9HX	XX	X	XX	-	XX	
SERIES	WATTAGE	VOLTAGE	OVERALL LENGTH	PHASE	TYPE OF PROTECTOR	WIRE & CONDUIT LENGTH
9HX - 9 element PTFE sheathed	3	3000W	17 3kW	No Designator = 3 Phase (std) 1 = Single Phase	REPLACEABLE FUSE	blank - 36" TEFLON CONDUIT
	4.5	4500W	23 4.5kW		P1(std)- SOLUTIONS UP TO 190°F	
	6	6000W	29 6kW		RESETTABLE FUSE	SPECIFY LENGTH - EX. X84 = 84" TEFLON CONDUIT
	9	9000W	35 9kW		P2 - SOLUTIONS UP TO 190°F	
	12	12000W	47 12kW		P8 - SOLUTIONS 190°F TO 210°F	
	15	15000W	59 15kW		P3 - SOLUTIONS 210°F TO 250°F	
	18	18000W	68 18kW			
			8 208V			
			9 220V			
			0 200V			

EX. IM-9HX4.5623-P2-X60
9 ELEMENT PTFE HEATER, 4.5kW, 600V,
3PH, 23" OAL, P2 Resettable Fuse for Solutions
up to 190degF, 60" Teflon Conduit

SPIRAL PTFE BOTTOM HEATERS



INFORMATION

- Fluoropolymer (PTFE) heaters are an excellent choice for heating Aqueous acid, alkaline, anodizing and pickling solutions up to 212F (100 C).
- Offers thick gauge stainless steel tubular elements covered with heavy wall fluoropolymer (PTFE) reducing permeation, eliminating the need for gas purge systems. This product is an excellent choice for heating electroless chemistries – not for use in Chromic Acid.

FEAUTRES

- PTFE sleeved 304 stainless elements inert to most solutions up to 212°F (100°C).
- Low watt density design 10 watts/square inch (1.5w/cm²).
- 4 foot (1.2m) continuous fluoropolymer (PTFE) cable leading to a vapor resistant terminal enclosure and 3 ft (.9m) flexible Teflon liquid tight conduit.
- Grounded internal metal element and built in thermal protector. Replaceable P1 protector standard for solutions up to 180°F(82°C).



PROTECTOR / FUSE OPTIONS

CODE	TYPE OF FUSE	DESCRIPTION
P1	REPLACEABLE	Standard for solutions up to 190°F (88°C)
P2	RESETTABLE	For solutions up to 190°F (88°C)
P8	RESETTABLE	For solutions up to 210°F (99°C)
P3	RESETTABLE	For solutions up to 250°F (121°C)

STANDARD PARTS

MPI P/N	WATTS	VOLTS	HOT ZONE	OVERALL LENGTH	MAX COLD ZONE
IM-HXL.5106-R*.**	500 W	120 V	6 "152 mm	12 "305 mm	41 "1041 mm
IM-HXL.5206-R*.**	500 W	240 V	6 "152 mm	12 "305 mm	41 "1041 mm
IM-HXL1108-R*.**	1000 W	120 V	8 "203 mm	12 "305 mm	41 "1041 mm
IM-HXL1208-R*.**	1000 W	240 V	8 "203 mm	12 "305 mm	41 "1041 mm
IM-HXL2112-R*.**	2000 W	120 V	12 "305 mm	18 "457 mm	40 "1016 mm
IM-HXL2212-R*.**	2000 W	240 V	12 "305 mm	18 "457 mm	40 "1016 mm
IM-HXL2412-R*.**	2000 W	480 V	12 "305 mm	18 "457 mm	40 "1016 mm
IM-HXL3217-R*.**	3000 W	240 V	17 "432 mm	18 "457 mm	40 "1016 mm
IM-HXL3417-R*.**	3000 W	480 V	17 "432 mm	18 "457 mm	40 "1016 mm
IM-HXL4220-R*.**	4000 W	240 V	20 "508 mm	18 "457 mm	40 "1016 mm
IM-HXL4420-R*.**	4000 W	480 V	20 "508 mm	18 "457 mm	40 "1016 mm
IM-HXL5224-R*.**	5000 W	240 V	24 "610 mm	18 "457 mm	36 "914 mm
IM-HXL5424-R*.**	5000 W	480 V	24 "610 mm	18 "457 mm	36 "914 mm
IM-HXL6229-R*.**	6000 W	240 V	29 "737 mm	18 "457 mm	30 "762 mm
IM-HXL6429-R*.**	6000 W	480 V	29 "737 mm	18 "457 mm	30 "762 mm
IM-2HXL8237-R*.**	8000 W	240 V	37 "940 mm	18 "457 mm	32 "813 mm
IM-2HXL8437-R*.**	8000 W	480 V	37 "940 mm	18 "457 mm	32 "813 mm
IM-2HXL9244-R*.**	9000 W	240 V	44 "1118 mm	18 "457 mm	35 "889 mm
IM-2HXL9444-R*.**	9000 W	480 V	44 "1118 mm	18 "457 mm	35 "889 mm

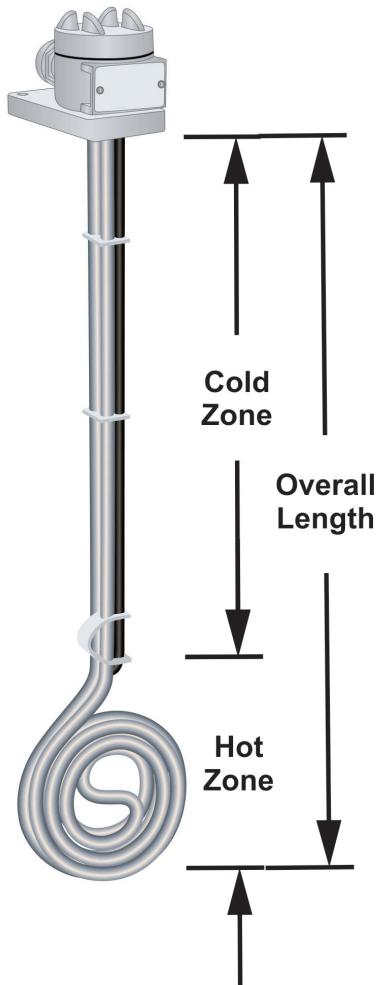
Single phase only. *Specify Vertical Length / Overall Length. **Specify Protector / Fuse

3-4 Week Lead Time for Standard & Custom Products!

ORDER CODE

IM-HXL		XX	X	XX	-	XX	-	XX
SERIES	WATTAGE	VOLTAGE	HOT ZONE (in)	OVERALL LENGTH	TYPE OF PROTECTOR	WIRE & CONDUIT LENGTH		
HXL - 1 Element	.5 500W	1 120V	06 0.5kW	R12 0.5kW	REPLACEABLE FUSE	blank - 36" TEFLON CONDUIT		
2HXL 2 Element	1 1000W	2 240V	08 1kW	R12 1kW	P1 _(std) - SOLUTIONS UP TO 190°F	SPECIFY LENGTH - EX. X84 = 84" TEFLON CONDUIT		
	2 2000W	3 380V	12 2kW	R18 2kW	RESETTABLE FUSE			
	3 3000W	4 480V	17 3kW	R18 3kW	P2 - SOLUTIONS UP TO 190°F			
	4 4000W	5 415V	20 4kW	R18 4kW	P8 - SOLUTIONS UP TO 210°F			
	5 5000W	6 600V	24 5kW	R18 5kW	P3 - SOLUTIONS UP TO 250°F			
	6 6000W	7 400V	29 6kW	R18 6kW	EX. IM-HXL.5106-R12-P1-X72			
	8 8000W	8 208V	37 8kW	R18 8kW	SPIRAL PTFE BOTTOM Immersion Heater, 0.5kW, 120V, 6" Hot Zone, 12" Vertical Length, P1 Replaceable Fuse for Solutions up to 190degF, 72" Teflon Conduit			
	9 9000W	9 220V	44 9kW	R18 9kW				
		0 200V			Specify custom lengths			

LOW PROFILE PTFE HEATERS



INFORMATION

- Fluoropolymer (PTFE) heaters are an excellent choice for heating Aqueous acid, alkaline, anodizing and pickling solutions up to 212F (100 C).
- Offers thick gauge stainless steel tubular elements covered with heavy wall fluoropolymer (PTFE) reducing permeation, eliminating the need for gas purge systems. This product is an excellent choice for heating electroless chemistries – not for use in Chromic Acid.

FEAUTRES

- PTFE sleeved 304 stainless elements inert to most solutions up to 212°F (100°C).
- Low watt density design 10 watts/square inch (1.5w/cm²).
- Vapor resistant, flame retardant polypropylene terminal enclosure with 3 ft (.9m) flexible Teflon liquid tight conduit.
- Grounded internal metal element and built in thermal protector. Replaceable P1 protector standard for solutions up to 180°F(82°C).



PROTECTOR / FUSE OPTIONS

CODE	TYPE OF FUSE	DESCRIPTION
P1	REPLACEABLE	Standard for solutions up to 190°F (88°C)
P4	REPLACEABLE	For solutions from 190°F to 220°F (88°C to 99°C)
P2	RESETTABLE	For solutions up to 190°F (88°C)
P8	RESETTABLE	For solutions up to 210°F (99°C)
P3	RESETTABLE	For solutions up to 250°F (121°C)

STANDARD PARTS

MPI P/N	WATTS	VOLTS	HOT ZONE	OVERALL LENGTH	DIAMETER	MAX COLD ZONE
IM-HXF5105-14- **	500 W	120 V	6 "152 mm	14 "356 mm	5 "127 mm	36 "914 mm
IM-HXF5205-14- **	500 W	240 V	6 "152 mm	14 "356 mm	5 "127 mm	36 "914 mm
IM-HXF1106-14- **	1000 W	120 V	7 "178 mm	14 "356 mm	6 "152 mm	36 "914 mm
IM-HXF1206-14- **	1000 W	240 V	7 "178 mm	14 "356 mm	6 "152 mm	36 "914 mm
IM-HXF2108-17- **	2000 W	120 V	9 "229 mm	17 "432 mm	8 "203 mm	35 "889 mm
IM-HXF2208-17- **	2000 W	240 V	9 "229 mm	17 "432 mm	8 "203 mm	35 "889 mm
IM-HXF2408-17- **	2000 W	480 V	9 "229 mm	17 "432 mm	8 "203 mm	35 "889 mm
IM-HXF3209-23- **	3000 W	240 V	10 "254 mm	23 "584 mm	9 "229 mm	35 "889 mm
IM-HXF3409-23- **	3000 W	480 V	10 "254 mm	23 "584 mm	9 "229 mm	35 "889 mm
IM-HXF4211-29- **	4000 W	240 V	12 "305 mm	29 "737 mm	11 "279 mm	35 "889 mm
IM-HXF4411-29- **	4000 W	480 V	12 "305 mm	29 "737 mm	11 "279 mm	35 "889 mm
IM-HXF5212-35- **	5000 W	240 V	13 "330 mm	35 "889 mm	12 "305 mm	31 "787 mm
IM-HXF5412-35- **	5000 W	480 V	13 "330 mm	35 "889 mm	12 "305 mm	31 "787 mm
IM-HXF6213-40- **	6000 W	240 V	14 "356 mm	40 "1016 mm	13 "330 mm	25 "635 mm
IM-HXF6413-40- **	6000 W	480 V	14 "356 mm	40 "1016 mm	13 "330 mm	25 "635 mm

Single phase only. ****Specify Protector / Fuse**

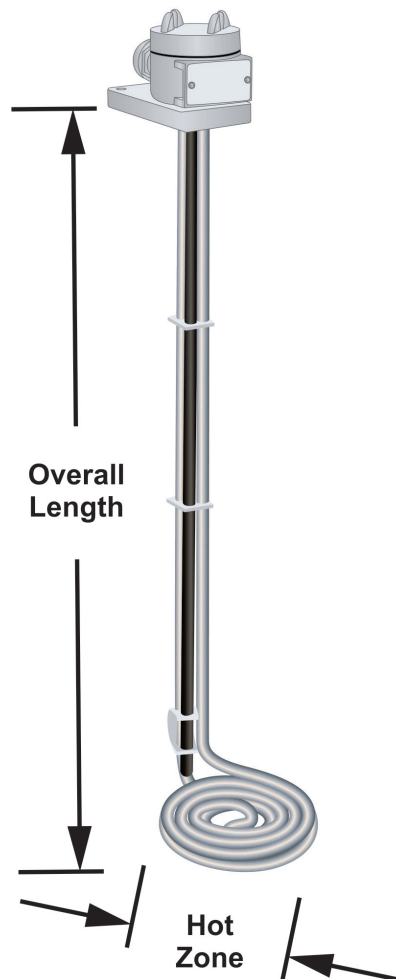
3-4 Week Lead Time for Standard & Custom Products!

ORDER CODE

IM-HXF	XX	X	XX	-	XX	-	XX
SERIES	WATTAGE	VOLTAGE	DIAMETER / HOT ZONE (in)	OVERALL LENGTH	TYPE OF PROTECTOR	WIRE & CONDUIT LENGTH	
HXF - PTFE	.5 500W	1 120V	05 0.5kW	14 0.5kW	REPLACEABLE FUSE	blank - 36" TEFLON CONDUIT	
	1 1000W	2 240V	06 1kW	14 1kW	P1 _(std) - SOLUTIONS UP TO 190°F		
	2 2000W	3 380V	08 2kW	17 2kW	P4 - SOLUTIONS 190°F TO 220°F	SPECIFY LENGTH - EX. X84 = 84" TEFLON CONDUIT	
	3 3000W	4 480V	09 3kW	23 3kW	RESETTABLE FUSE		
	4 4000W	5 415V	11 4kW	29 4kW	P2 - SOLUTIONS UP TO 190°F		
	5 5000W	6 600V	12 5kW	35 5kW	P8 - SOLUTIONS UP TO 210°F		
	6 6000W	7 400V	13 6kW	40 6kW	P3 - SOLUTIONS UP TO 250°F		
		8 208V					
		9 220V					
		0 200V					

Specify Custom Lengths
 EX. IM-HXF6813-40-P2 LOW PROFILE PTFE Immersion Heater, 6kW, 208V, 13" Hot Zone, 40" Overall Length, P2 Resettable Fuse for Solutions up to 190degF, 36" Teflon Conduit

LOW PROFILE BOTTOM PTFE HEATERS



INFORMATION

- Fluoropolymer (PTFE) heaters are an excellent choice for heating Aqueous acid, alkaline, anodizing and pickling solutions up to 212F (100 C).
- Offers thick gauge stainless steel tubular elements covered with heavy wall fluoropolymer (PTFE) reducing permeation, eliminating the need for gas purge systems. This product is an excellent choice for heating electroless chemistries – not for use in Chromic Acid.

FEAUTRES

- PTFE sleeved 304 stainless elements inert to most solutions up to 212°F (100°C).
- Low watt density design 10 watts/square inch (1.5w/cm²).
- 4 foot (1.2m) continuous fluoropolymer (PTFE) cable leading to a vapor resistant terminal enclosure and 3 ft (.9m) flexible Teflon liquid tight conduit.
- Grounded internal metal element and built in thermal protector. Replaceable P1 protector standard for solutions up to 180°F(82°C).



PROTECTOR / FUSE OPTIONS

CODE	TYPE OF FUSE	DESCRIPTION
P1	REPLACEABLE	Standard for solutions up to 190°F (88°C)
P2	RESETTABLE	For solutions up to 190°F (88°C)
P8	RESETTABLE	For solutions up to 210°F (99°C)
P3	RESETTABLE	For solutions up to 250°F (121°C)

STANDARD PARTS

MPI P/N	WATTS	VOLTS	HOT ZONE	OVERALL LENGTH	DIAMETER	MAX COLD ZONE
IM-HXFL.5105-R*.**	500 W	120 V	5 "127 mm	12 "305 mm	5 "127 mm	36 "914 mm
IM-HXFL.5205-R*.**	500 W	240 V	5 "127 mm	12 "305 mm	5 "127 mm	36 "914 mm
IM-HXFL1106-R*.**	1000 W	120 V	6 "152 mm	12 "305 mm	6 "152 mm	36 "914 mm
IM-HXFL1206-R*.**	1000 W	240 V	6 "152 mm	12 "305 mm	6 "152 mm	36 "914 mm
IM-HXFL2108-R*.**	2000 W	120 V	8 "203 mm	18 "457 mm	8 "203 mm	35 "889 mm
IM-HXFL2208-R*.**	2000 W	240 V	8 "203 mm	18 "457 mm	8 "203 mm	35 "889 mm
IM-HXFL2408-R*.**	2000 W	480 V	8 "203 mm	18 "457 mm	8 "203 mm	35 "889 mm
IM-HXFL3209-R*.**	3000 W	240 V	9 "229 mm	18 "457 mm	9 "229 mm	35 "889 mm
IM-HXFL3409-R*.**	3000 W	480 V	9 "229 mm	18 "457 mm	9 "229 mm	35 "889 mm
IM-HXFL4211-R*.**	4000 W	240 V	11 "279 mm	18 "457 mm	11 "279 mm	35 "889 mm
IM-HXFL4411-R*.**	4000 W	480 V	11 "279 mm	18 "457 mm	11 "279 mm	35 "889 mm
IM-HXFL5212-R*.**	5000 W	240 V	12 "305 mm	18 "457 mm	12 "305 mm	31 "787 mm
IM-HXFL5412-R*.**	5000 W	480 V	12 "305 mm	18 "457 mm	12 "305 mm	31 "787 mm
IM-HXFL6213-R*.**	6000 W	240 V	13 "330 mm	18 "457 mm	13 "330 mm	25 "635 mm
IM-HXFL6413-R*.**	6000 W	480 V	13 "330 mm	18 "457 mm	13 "330 mm	25 "635 mm

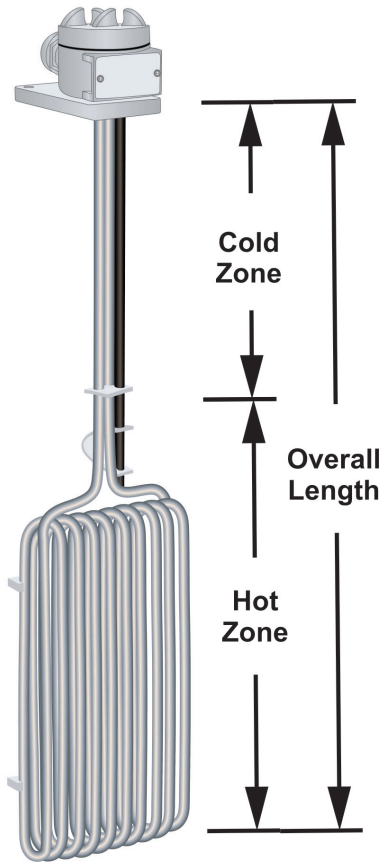
Single phase only. *Specify Vertical Riser Length / Overall Length. **Specify Protector / Fuse

3-4 Week Lead Time for Standard & Custom Products!

ORDER CODE

IM-HXFL	XX	X	XX	-	XX	-	XX	
SERIES	WATTAGE	VOLTAGE	DIAMETER / HOT ZONE (in)	OVERALL LENGTH	TYPE OF PROTECTOR	WIRE & CONDUIT LENGTH		
HXFL - PTFE	.5 500W	1 120V	05 0.5kW	R12 0.5kW	REPLACEABLE FUSE	blank - 36" TEFLON CONDUIT		
	1 1000W	2 240V	06 1kW	R12 1kW	P1 (std)- SOLUTIONS UP TO 190°F			
	2 2000W	3 380V	08 2kW	R18 2kW	RESETTABLE FUSE	SPECIFY LENGTH - EX. X84 = 84" TEFLON CONDUIT		
	3 3000W	4 480V	09 3kW	R18 3kW	P2 - SOLUTIONS UP TO 190°F			
	4 4000W	5 415V	11 4kW	R18 4kW	P8 - SOLUTIONS UP TO 210°F			
	5 5000W	6 600V	12 5kW	R18 5kW	P3 - SOLUTIONS UP TO 250°F			
	6 6000W	7 400V	13 6kW	R18 6kW	EX. IM-HXFL5412-R18-P1	LOW PROFILE BOTTOM PTFE Immersion Heater, 5kW, 480V, 12" Hot Zone, 18" Overall Length, P1 Replaceable Fuse for Solutions up to 190degF, 36" Teflon		
		8 208V			Specify Custom Lengths			
		9 220V						
		0 200V						

O-SHAPED PTFE HEATERS



INFORMATION

- Fluoropolymer (PTFE) heaters are an excellent choice for heating Aqueous acid, alkaline, anodizing and pickling solutions up to 212F (100 C).
- Offers thick gauge stainless steel tubular elements covered with heavy wall fluoropolymer (PTFE) reducing permeation, eliminating the need for gas purge systems. This product is an excellent choice for heating electroless chemistries – not for use in Chromic Acid.

FEAUTRES

- PTFE sleeved 304 stainless elements inert to most solutions up to 212°F (100°C).
- Low watt density design 10 watts/square inch (1.5w/cm²).
- Vapor resistant, flame retardant polypropylene terminal enclosure with 3 ft (.9m) flexible Teflon liquid tight conduit.
- Grounded internal metal element and built in thermal protector. Replaceable P1 protector standard for solutions up to 180°F(82°C).



PROTECTOR / FUSE OPTIONS

CODE	TYPE OF FUSE	DESCRIPTION
P1	REPLACEABLE	Standard for solutions up to 190°F (88°C)
P2	RESETTABLE	For solutions up to 190°F (88°C)
P8	RESETTABLE	For solutions up to 210°F (99°C)
P3	RESETTABLE	For solutions up to 250°F (121°C)

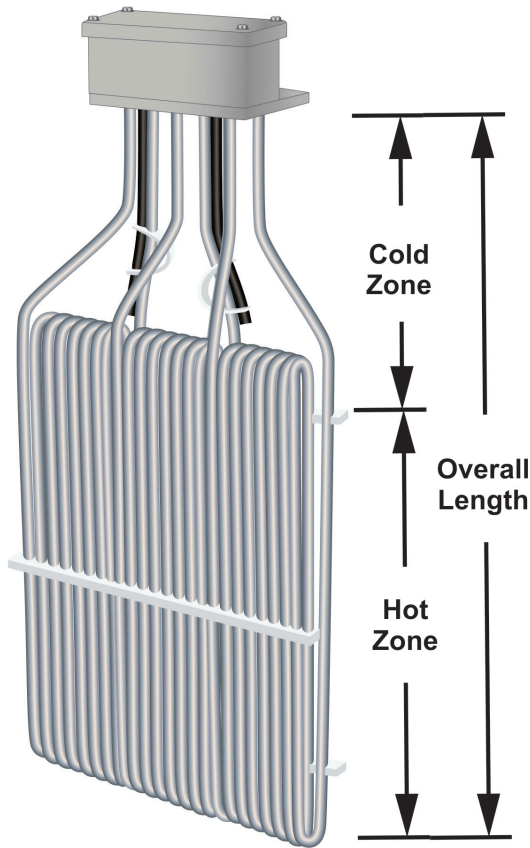
STANDARD PARTS						
MPI P/N	WATTS	VOLTS	WIDTH	HOT ZONE	OVERALL LENGTH	STD COLD ZONE
IM-HXO.5105-06-11- **	500 W	120 V	5 "127 mm	6 "152 mm	11 "279 mm	5 "127 mm
IM-HXO.5205-06-11- **	500 W	240 V	5 "127 mm	6 "152 mm	11 "279 mm	5 "127 mm
IM-HXO1106-07-11- **	1000 W	120 V	6 "152 mm	7 "178 mm	11 "279 mm	5 "127 mm
IM-HXO1206-07-11- **	1000 W	240 V	6 "152 mm	7 "178 mm	11 "279 mm	5 "127 mm
IM-HXO2106-10-17- **	2000 W	120 V	6 "152 mm	10 "254 mm	17 "432 mm	7 "178 mm
IM-HXO2206-10-17- **	2000 W	240 V	6 "152 mm	10 "254 mm	17 "432 mm	7 "178 mm
IM-HXO2406-10-17- **	2000 W	480 V	6 "152 mm	10 "254 mm	17 "432 mm	7 "178 mm
IM-HXO3206-12-23- **	3000 W	240 V	6 "152 mm	12 "305 mm	23 "584 mm	11 "279 mm
IM-HXO3406-12-23- **	3000 W	480 V	6 "152 mm	12 "305 mm	23 "584 mm	11 "279 mm
IM-HXO4206-19-29- **	4000 W	240 V	6 "152 mm	19 "483 mm	29 "737 mm	10 "254 mm
IM-HXO4406-19-29- **	4000 W	480 V	6 "152 mm	19 "483 mm	29 "737 mm	10 "254 mm
IM-HXO5206-20-35- **	5000 W	240 V	6 "152 mm	20 "508 mm	35 "889 mm	15 "381 mm
IM-HXO5406-20-35- **	5000 W	480 V	6 "152 mm	20 "508 mm	35 "889 mm	15 "381 mm
IM-HXO6208-22-40- **	6000 W	240 V	8 "203 mm	22 "559 mm	40 "1016 mm	18 "457 mm
IM-HXO6408-22-40- **	6000 W	480 V	8 "203 mm	22 "559 mm	40 "1016 mm	18 "457 mm
IM-2HXO8208-36-47- **	8000 W	240 V	8 "203 mm	36 "914 mm	47 "1194 mm	11 "279 mm
IM-2HXO8408-36-47- **	8000 W	480 V	8 "203 mm	36 "914 mm	47 "1194 mm	11 "279 mm
IM-2HXO9208-40-54- **	9000 W	240 V	8 "203 mm	40 "1016 mm	54 "1372 mm	14 "356 mm
IM-2HXO9408-40-54- **	9000 W	480 V	8 "203 mm	40 "1016 mm	54 "1372 mm	14 "356 mm

Single phase only. ****Specify Protector / Fuse**

3-4 Week Lead Time for Standard & Custom Products!

ORDER CODE							
IM-HXO	XX	X	XX	-	XX	-	XX
SERIES	WATTAGE	VOLTAGE	WIDTH	HOT ZONE	OVERALL LENGTH	TYPE OF PROTECTOR	WIRE & CONDUIT LENGTH
HXO - PTFE	.5 500W	1 120V	05 0.5kW	06 0.5kW	11 0.5kW	REPLACEABLE FUSE	blank - 36" TEFLON CONDUIT
	1 1000W	2 240V	06 1kW	06 1kW	11 1kW	P1 _(std) - SOLUTIONS UP TO 190°F	
	2 2000W	3 380V	06 2kW	10 2kW	17 2kW	RESETTABLE FUSE	SPECIFY LENGTH
	3 3000W	4 480V	06 3kW	12 3kW	23 3kW	P2 - SOLUTIONS UP TO 190°F	- EX. X84 = 84" TEFLON CONDUIT
	4 4000W	5 415V	06 4kW	19 4kW	29 4kW	P8 - 190°F TO 210°F	
	5 5000W	6 600V	06 5kW	20 5kW	35 5kW	P3 - 190°F TO 250°F	
	6 6000W	7 400V	06 6kW	22 6kW	40 6kW	EX. IM-3HXO2906-10-17-P1	
	8 8000W	8 208V	06 8kW	36 8kW	47 8kW	O-SHAPED PTFE Immersion Heater,	
	9 9000W	9 220V	06 9kW	40 9kW	54 9kW	2kW, 220V, 6" Width, 10" Hot Zone,	
	0 200V					17" Overall Length, P1 Replaceable Fuse for Solutions up to 190degF, 36" Teflon Conduit	
					Specify custom lengths		

3 ELEMENT O-SHAPED PTFE HEATERS



INFORMATION

- Fluoropolymer (PTFE) heaters are an excellent choice for heating Aqueous acid, alkaline, anodizing and pickling solutions up to 212F (100 C).
- Offers thick gauge stainless steel tubular elements covered with heavy wall fluoropolymer (PTFE) reducing permeation, eliminating the need for gas purge systems. This product is an excellent choice for heating electroless chemistries – not for use in Chromic Acid.

FEAUTRES

- PTFE sleeved 304 stainless elements inert to most solutions up to 212°F (100°C).
- Low watt density design 10 watts/square inch (1.5w/cm²).
- Vapor resistant, flame retardant polypropylene terminal enclosure with 3 ft (.9m) flexible Teflon liquid tight conduit.
- Grounded internal metal element and built in thermal protector. Replaceable P1 protector standard for solutions up to 180°F(82°C).



PROTECTOR / FUSE OPTIONS

CODE	TYPE OF FUSE	DESCRIPTION
P1	REPLACEABLE	Standard for solutions up to 190°F (88°C)
P2	RESETTABLE	For solutions up to 190°F (88°C)
P8	RESETTABLE	For solutions from 190°F to 210°F (88°C to 99°C)
P3	RESETTABLE	For solutions from 210°F to 250°F (99°C to 121°C)

STANDARD PARTS						
MPI P/N	WATTS	VOLTS	Width	HOT ZONE	OVERALL LENGTH	MAX COLD ZONE
IM-3HXO15110.5-06-11- **	1500 W	120 V	10-1/2 "263 mm	6 "152 mm	11 "279 mm	36 "914 mm
IM-3HXO15210.5-06-11- **	1500 W	240 V	10-1/2 "263 mm	6 "152 mm	11 "279 mm	36 "914 mm
IM-3HXO3211-06-11- **	3000 W	240 V	11 "279 mm	6 "152 mm	11 "279 mm	36 "914 mm
IM-3HXO3411-06-11- **	3000 W	480 V	11 "279 mm	6 "152 mm	11 "279 mm	36 "914 mm
IM-3HXO4.5211-9.5-17- **	4500 W	240 V	11 "279 mm	9.5 "238 mm	17 "432 mm	35 "889 mm
IM-3HXO4.5411-9.5-17- **	4500 W	480 V	11 "279 mm	9.5 "238 mm	17 "432 mm	35 "889 mm
IM-3HXO6213-10.5-170- **	6000 W	240 V	13 "330 mm	10.5 "263 mm	17 "432 mm	35 "889 mm
IM-3HXO6413-10.5-17- **	6000 W	480 V	13 "330 mm	10.5 "263 mm	17 "432 mm	35 "889 mm
IM-3HXO9213-16-23- **	9000 W	240 V	13 "330 mm	16 "406 mm	23 "584 mm	35 "889 mm
IM-3HXO9413-16-23- **	9000 W	480 V	13 "330 mm	16 "406 mm	23 "584 mm	35 "889 mm
IM-3HXO12213-20.5-29- **	12,000 W	240 V	13 "330 mm	20.5 "513 mm	29 "737 mm	35 "889 mm
IM-3HXO12413-20.5-29- **	12,000 W	480 V	13 "330 mm	20.5 "513 mm	29 "737 mm	35 "889 mm
IM-3HXO15213-25-35- **	15,000 W	240 V	13 "330 mm	25 "635 mm	35 "889 mm	31 "787 mm
IM-3HXO15413-25-35- **	15,000 W	480 V	13 "330 mm	25 "635 mm	35 "889 mm	31 "787 mm
IM-3HXO18213-29-40- **	18,000 W	240 V	13 "330 mm	29 "737 mm	40 "1016 mm	25 "635 mm
IM-3HXO18413-29-40- **	18,000 W	480 V	13 "330 mm	29 "737 mm	40 "1016 mm	25 "635 mm

****Specify Protector / Fuse**

3-4 Week Lead Time for Standard & Custom Products!

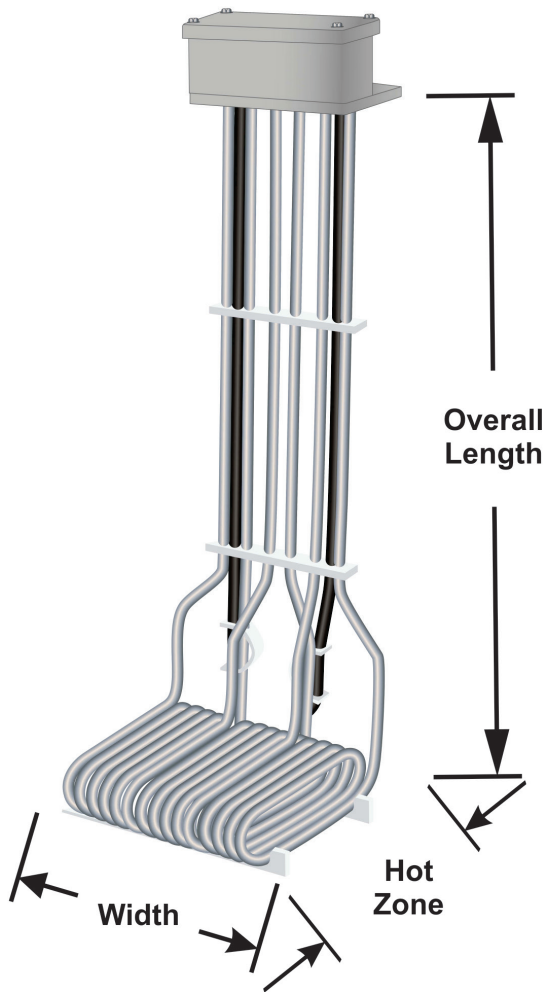
ORDER CODE

IM-3HXO	XX	X	XX	-	XX	-	XX	-	XX
SERIES	WATTAGE	VOLTAGE	WIDTH	HOT ZONE	OVERALL LENGTH	PHASE	TYPE OF PROTECTOR		
3HXO - 3 element PTFE sheathed	1.5 1500W	1 120V	10.5 1.5kW	08 1.5kW	11 1.5kW	3 phase (std), No designator	REPLACEABLE FUSE		
	3 3000W	2 240V	11 3kW	08 3kW	11 3kW		P1- SOLUTIONS UP TO 190°F		
	4.5 4500W	3 380V	11 4.5kW	11.5 4.5kW	17 4.5kW		RESETTABLE FUSE		
	6 6000W	4 480V	13 6kW	12.5 6kW	17 6kW	-1= single phase	P2 - SOLUTIONS UP TO 190°F		
	9 9000W	5 415V	13 9kW	18 9kW	23 9kW		P8 - SOLUTIONS 190°F TO 210°F		
	12 12000W	6 600V	13 12kW	22.5 12kW	29 12kW				
	15 15000W	7 400V	13 15kW	27 15kW	35 15kW		P3 - SOLUTIONS 210°F TO 250°F		
	18 18000W	8 208V	13 18kW	31 18kW	40 18kW				
		9 220V				Specify Custom Lengths			
	0 200V								

EX. IM-3HXO4.5611-11.5-17-P2-X72
 PTFE 3 ELEMENT O-SHAPED HEATER,
 4.5kW, 600V, 3PH 11" Width, 11.5" Hot Zone, 17"OAL, P2 Resettable Fuse for Solutions up to 190degF, 72" Teflon Conduit

WIRE & CONDUIT LENGTH
 blank - 36" TEFLON CONDUIT

3 ELEMENT BOTTOM PTFE HEATERS



INFORMATION

- Fluoropolymer (PTFE) heaters are an excellent choice for heating Aqueous acid, alkaline, anodizing and pickling solutions up to 212F (100 C).
- Offers thick gauge stainless steel tubular elements covered with heavy wall fluoropolymer (PTFE) reducing permeation, eliminating the need for gas purge systems. This product is an excellent choice for heating electroless chemistries – not for use in Chromic Acid.

FEAUTRES

- PTFE sleeved 304 stainless elements inert to most solutions up to 212°F (100°C).
- Low watt density design 10 watts/square inch (1.5w/cm²).
- Vapor resistant, flame retardant polypropylene terminal enclosure with 3 ft (.9m) flexible Teflon liquid tight conduit.
- Grounded internal metal element and built in thermal protector. Replaceable P1 protector standard for solutions up to 180°F(82°C).



PROTECTOR / FUSE OPTIONS

CODE	TYPE OF FUSE	DESCRIPTION
P1	REPLACEABLE	Standard for solutions up to 190°F (88°C)
P2	RESETTABLE	For solutions up to 190°F (88°C)
P8	RESETTABLE	For solutions from 190°F to 210°F (88°C to 99°C)
P3	RESETTABLE	For solutions from 210°F to 250°F (99°C to 121°C)

STANDARD PARTS

MPI P/N	WATTS	VOLTS	WIDTH	HOT ZONE	OVERALL LENGTH
IM-3HXOL3208-13-R*-**	3000 W	240 V	8 "203 mm	13 "330 mm	18 "457 mm
IM-3HXOL3408-13-R*-**	3000 W	480 V	8 "203 mm	13 "330 mm	18 "457 mm
IM-3HXOL4.5210.5-11-R*-**	4500 W	240 V	10-1/2 "263 mm	11 "279 mm	18 "457 mm
IM-3HXOL4.5410.5-11-R*-**	4500 W	480 V	10-1/2 "263 mm	11 "279 mm	18 "457 mm
IM-3HXOL6210.5-19-R*-**	6000 W	240 V	10-1/2 "263 mm	19 "483 mm	18 "457 mm
IM-3HXOL6410.5-19-R*-**	6000 W	480 V	10-1/2 "263 mm	19 "483 mm	18 "457 mm
IM-3HXOL9210.5-23-R*-**	9000 W	240 V	10-1/2 "263 mm	23 "584 mm	18 "457 mm
IM-3HXOL9410.5-23-R*-**	9000 W	480 V	10-1/2 "263 mm	23 "584 mm	18 "457 mm
IM-3HXOL12210.5-30-R*-**	12,000 W	240 V	10-1/2 "263 mm	30 "762 mm	18 "457 mm
IM-3HXOL12410.5-30-R*-**	12,000 W	480 V	10-1/2 "263 mm	30 "762 mm	18 "457 mm
IM-3HXOL15210.5-36-R*-**	15,000 W	240 V	10-1/2 "263 mm	36 "914 mm	18 "457 mm
IM-3HXOL15410.5-36-R*-**	15,000 W	480 V	10-1/2 "263 mm	36 "914 mm	18 "457 mm
IM-3HXOL18210.5-42-R*-**	18,000 W	240 V	10-1/2 "263 mm	42 "1067 mm	18 "457 mm
IM-3HXOL18410.5-42-R*-**	18,000 W	480 V	10-1/2 "263 mm	42 "1067 mm	18 "457 mm

3-phase standard, Single Phase Available. *Specify Vertical Riser Length / Overall Length. **Specify Protector / Fuse

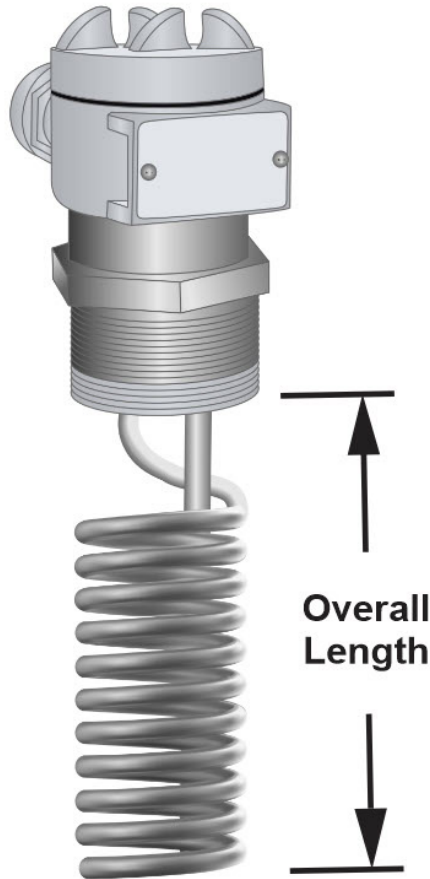
3-4 Week Lead Time for Standard & Custom Products!

ORDER CODE

IM-3HXOL XX X XXX - XX - XXX - XX											
SERIES	WATTAGE	VOLTAGE	WIDTH	HOT ZONE	OVERALL LENGTH	PHASE	TYPE OF PROTECTOR	WIRE & CONDUIT LENGTH			
3HXOL - 3 element PTFE sheathed	3 3000W	1 120V	08 3kW	13 3kW	R18	3 phase (std), No designator	REPLACEABLE FUSE	blank - 36" TEFLON CONDUIT			
	4.5 4500W	2 240V	10.5 4.5kW	11 4.5kW			P1- SOLUTIONS UP TO 190°F				
	6 6000W	4 380V	10.5 6kW	19 6kW	Specify Custom Lengths	1= single phase	RESETTABLE FUSE	SPECIFY LENGTH - EX. X84 = 84" TEFLON CONDUIT			
	9 9000W	4 480V	10.5 9kW	23 9kW			P2 - SOLUTIONS UP TO 190°F				
	12 12000W	5 415V	10.5 12kW	30 12kW			P8 - SOLUTIONS 190°F TO 210°F				
	15 15000W	6 600V	10.5 15kW	36 15kW			P3 - SOLUTIONS 210°F TO 250°F				
	18 18000W	7 400V	10.5 18kW	42 18kW							
		8 208V									
	9 220V										

EX. IM-3HXOL9610.5-23-R22-1-P3 3 ELEMENT BOTTOM PTFE Immersion Heater, 9kW, 600V, Single Phase, 10.5" Width, 23" Hot Zone, 22" Vertical Length, P3 Resettable Fuse for Solutions from 210degF to 250degF, 36" Teflon Conduit

SPIRAL SCREWPLUG PTFE HEATERS



INFORMATION

- Fluoropolymer (PTFE) heaters are an excellent choice for heating Aqueous acid, alkaline, anodizing and pickling solutions up to 212F (100 C).
- Offers thick gauge stainless steel tubular elements covered with heavy wall fluoropolymer (PTFE) reducing permeation, eliminating the need for gas purge systems. This product is an excellent choice for heating electroless chemistries – not for use in Chromic Acid.
- Single phase only. Comes standard with Resettable thermal protector: P3: for solutions up to 250°F (121°C).

FEAUTRES

- Heavy wall fluoropolymer sheath (PTFE) covered stainless steel element reduces permeation.
- Low watt densities of 10 watts/square inch (1.5 w/cm²).
- Vapor resistant, flame retardant polypropylene terminal enclosure with 3 ft (.9m) flexible Teflon liquid tight conduit.
- Grounded construction.
- Intended for Horizontal Installation only



PROTECTOR / FUSE OPTIONS

CODE	TYPE OF FUSE	DESCRIPTION
P3	RESETTABLE	For solutions up to 250°F (121°C)

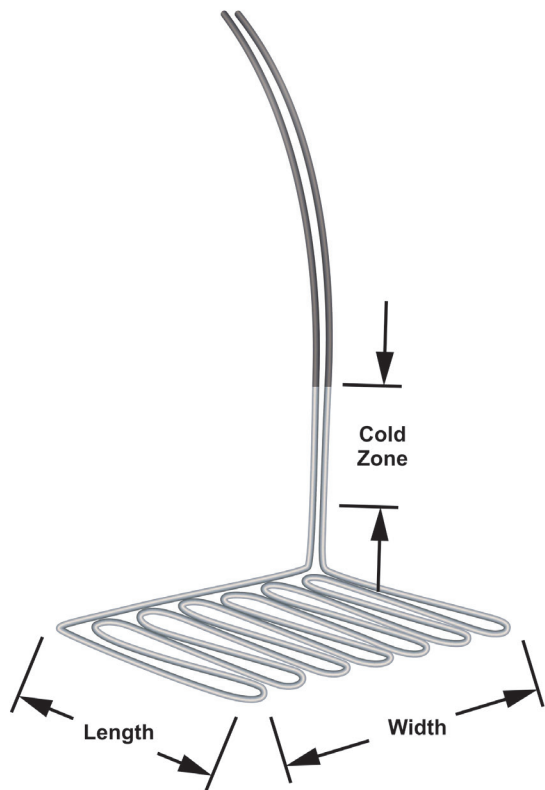
STANDARD PARTS				
MPI P/N	WATTS	VOLTS	OVERALL LENGTH	PIPE THREAD
IM-HXT1109	1000 W	120 V	9 "229 mm	2-1/2" MNPT
IM-HXT1209	1000 W	240 V	9 "229 mm	2-1/2" MNPT
IM-HXT2114	2000 W	120 V	14 "356 mm	2-1/2" MNPT
IM-HXT2214	2000 W	240 V	14 "356 mm	2-1/2" MNPT
IM-HXT2414	2000 W	480 V	14 "356 mm	2-1/2" MNPT
IM-HXT3219	3000 W	240 V	19 "483 mm	2-1/2" MNPT
IM-HXT3419	3000 W	480 V	19 "483 mm	2-1/2" MNPT
IM-HXT4226	4000 W	240 V	26 "660 mm	2-1/2" MNPT
IM-HXT4426	4000 W	480 V	26 "660 mm	2-1/2" MNPT
IM-HXT5230	5000 W	240 V	30 "762 mm	2-1/2" MNPT
IM-HXT5430	5000 W	480 V	30 "762 mm	2-1/2" MNPT
IM-HXT6234	6000 W	240 V	34 "864 mm	2-1/2" MNPT
IM-HXT6434	6000 W	480 V	34 "864 mm	2-1/2" MNPT

*Single phase only.

3-4 Week Lead Time for Standard & Custom Products!

ORDER CODE					
SERIES	WATTAGE	VOLTAGE	LENGTH (in)	TYPE OF PROTECTOR	WIRE & CONDUIT LENGTH
IM-HXT	X	X	XX	-	P3
HXT - PTFE	1 1000W	1 120V	9 1kW	RESETTABLE FUSE	blank - 36" TEFLON CONDUIT
	2 2000W	2 240V	14 2kW	P3 _(std) - SOLUTIONS UP TO 250°F	
	3 3000W	3 380V	19 3kW		SPECIFY LENGTH - EX. X84 = 84" TEFLON CONDUIT
	4 4000W	4 480V	26 4kW		
	5 5000W	5 415V	30 5kW	EX. IM-HXT4226-P3	PTFE SPIRAL
	6 6000W	6 600V	34 6kW		PSCREWPLUG Immersion Heater, 4kW, 240V, 26" Length, P3 Resettable Fuse for Solutions up to 250degF, 36" Teflon Conduit
		7 400V	Specify custom lengths		
		8 208V			
		9 220V			
		0 200V			

LOW PROFILE FLEX RISER PTFE HEATERS



INFORMATION

- Fluoropolymer (PTFE) heaters are an excellent choice for heating Aqueous acid, alkaline, anodizing and pickling solutions up to 212F (100 C).
- Offers thick gauge stainless steel tubular elements covered with heavy wall fluoropolymer (PTFE) reducing permeation, eliminating the need for gas purge systems. This product is an excellent choice for heating electroless chemistries – not for use in Chromic Acid.

FEAUTRES

Flexible Riser Bottom Single Phase Heater. Excellent chemical resistance to aggressive acids.

- PTFE sleeved 304 stainless elements inert to most solutions up to 212°F (100°C).
- Low watt den sity design 10 watts/square inch (1.5w/cm²).
- 4 foot (1.2m) continuous fluoropolymer (PTFE) cable leading to a vapor resistant terminal enclosure and 3 ft (.9m) flexible Teflon liquid tight conduit.
- Grounded internal metal element and built in thermal protector. Resettable P3 protector standard



PROTECTOR / FUSE OPTIONS

	CODE	TYPE OF FUSE	DESCRIPTION
FLEX RISER	P3	RESETTABLE	For solutions up to 250°F (121°C)
RIGID RISER	P1	REPLACEABLE	Standard for solutions up to 180°F (82°C)
	P4	REPLACEABLE	For solutions up to 230°F (110°C)
	P2	RESETTABLE	For solutions up to 190°F (88°C)
	P8	RESETTABLE	For solutions from 190°F to 210°F (88°C to 99°C)
	P3	RESETTABLE	For solutions from 210°F to 250°F (99°C to 121°C)

STANDARD PARTS					
MPI P/N	WATTS	VOLTS	Width	LENGTH	PHASE
IM-HXRL1104-19L-**	1000 W	120 V	4 "102 mm	19 "483 mm	Single
IM-HXRL1204-19L-**	1000 W	240 V	4 "102 mm	19 "483 mm	Single
IM-HXRL1106-13L-**	1000 W	120 V	6 "152 mm	13 "330 mm	Single
IM-HXRL1206-13L-**	1000 W	240 V	6 "152 mm	13 "330 mm	Single
IM-HXRL1108-10L-**	1000 W	120 V	8 "203 mm	10 "254 mm	Single
IM-HXRL1208-10L-**	1000 W	240 V	8 "203 mm	10 "254 mm	Single
IM-HXRL2106-25L-**	2000 W	120 V	6 "152 mm	25 "635 mm	Single
IM-HXRL2206-25L-**	2000 W	240 V	6 "152 mm	25 "635 mm	Single
IM-HXRL2406-25L-**	2000 W	480 V	6 "152 mm	25 "635 mm	Single
IM-HXRL2108-19L-**	2000 W	120 V	8 "203 mm	19 "483 mm	Single
IM-HXRL2208-19L-**	2000 W	240 V	8 "203 mm	19 "483 mm	Single
IM-HXRL2408-19L-**	2000 W	480 V	8 "203 mm	19 "483 mm	Single
IM-HXRL2110-15L-**	2000 W	120 V	10 "254 mm	15 "381 mm	Single
IM-HXRL2210-15L-**	2000 W	240 V	10 "254 mm	15 "381 mm	Single
IM-HXRL2410-15L-**	2000 W	480 V	10 "254 mm	15 "381 mm	Single
IM-HXRL2112-13L-**	2000 W	120 V	12 "305 mm	13 "330 mm	Single
IM-HXRL2212-13L-**	2000 W	240 V	12 "305 mm	13 "330 mm	Single
IM-HXRL2412-13L-**	2000 W	480 V	12 "305 mm	13 "330 mm	Single
IM-HXRL2114-11L-**	2000 W	120 V	14 "356 mm	11 "279 mm	Single
IM-HXRL2214-11L-**	2000 W	240 V	14 "356 mm	11 "279 mm	Single
IM-HXRL2414-11L-**	2000 W	480 V	14 "356 mm	11 "279 mm	Single
IM-HXRL3210-23L-**	3000 W	240 V	10 "254 mm	23 "584 mm	Single
IM-HXRL3410-23L-**	3000 W	480 V	10 "254 mm	23 "584 mm	Single
IM-HXRL3212-19L-**	3000 W	240 V	12 "305 mm	19 "483 mm	Single
IM-HXRL3412-19L-**	3000 W	480 V	12 "305 mm	19 "483 mm	Single
IM-HXRL3214-16L-**	3000 W	240 V	14 "356 mm	16 "406 mm	Single
IM-HXRL3414-16L-**	3000 W	480 V	14 "356 mm	16 "406 mm	Single
IM-HXRL3216-14L-**	3000 W	240 V	16 "406 mm	14 "356 mm	Single
IM-HXRL3416-14L-**	3000 W	480 V	16 "406 mm	14 "356 mm	Single
IM-HXRL3218-13L-**	3000 W	240 V	18 "457 mm	13 "330 mm	Single
IM-HXRL3418-13L-**	3000 W	480 V	18 "457 mm	13 "330 mm	Single
IM-HXRL4212-25L-**	4000 W	240 V	12 "305 mm	25 "635 mm	Single
IM-HXRL4412-25L-**	4000 W	480 V	12 "305 mm	25 "635 mm	Single
IM-HXRL4214-22L-**	4000 W	240 V	14 "356 mm	22 "559 mm	Single
IM-HXRL4414-22L-**	4000 W	480 V	14 "356 mm	22 "559 mm	Single
IM-HXRL4216-19L-**	4000 W	240 V	16 "406 mm	19 "483 mm	Single
IM-HXRL4416-19L-**	4000 W	480 V	16 "406 mm	19 "483 mm	Single
IM-HXRL4218-17L-**	4000 W	240 V	18 "457 mm	17 "432 mm	Single
IM-HXRL4418-17L-**	4000 W	480 V	18 "457 mm	17 "432 mm	Single
IM-HXRL4220-15L-**	4000 W	240 V	20 "508 mm	15 "381 mm	Single
IM-HXRL4420-15L-**	4000 W	480 V	20 "508 mm	15 "381 mm	Single

STANDARD PARTS Cont.

IM-HXRL5212-31L-**	5000 W	240 V	12 "305 mm	31 "787 mm	Single
IM-HXRL5412-31L-**	5000 W	480 V	12 "305 mm	31 "787 mm	Single
IM-HXRL5214-27L-**	5000 W	240 V	14 "356 mm	27 "686 mm	Single
IM-HXRL5414-27L-**	5000 W	480 V	14 "356 mm	27 "686 mm	Single
IM-HXRL5216-23L-**	5000 W	240 V	16 "406 mm	23 "584 mm	Single
IM-HXRL5416-23L-**	5000 W	480 V	16 "406 mm	23 "584 mm	Single
IM-HXRL5218-21L-**	5000 W	240 V	18 "457 mm	21 "533 mm	Single
IM-HXRL5418-21L-**	5000 W	480 V	18 "457 mm	21 "533 mm	Single
IM-HXRL6212-36L-**	6000 W	240 V	12 "305 mm	36 "914 mm	Single
IM-HXRL6412-36L-**	6000 W	480 V	12 "305 mm	36 "914 mm	Single
IM-HXRL6214-30L-**	6000 W	240 V	14 "356 mm	30 "762 mm	Single
IM-HXRL6414-30L-**	6000 W	480 V	14 "356 mm	30 "762 mm	Single
IM-HXRL6216-26L-**	6000 W	240 V	16 "406 mm	26 "660 mm	Single
IM-HXRL6416-26L-**	6000 W	480 V	16 "406 mm	26 "660 mm	Single
IM-HXRL6220-21L-**	6000 W	240 V	18 "457 mm	21 "533 mm	Single
IM-HXRL6420-21L-**	6000 W	480 V	18 "457 mm	21 "533 mm	Single

Single phase only. **Specify Protector / Fuse

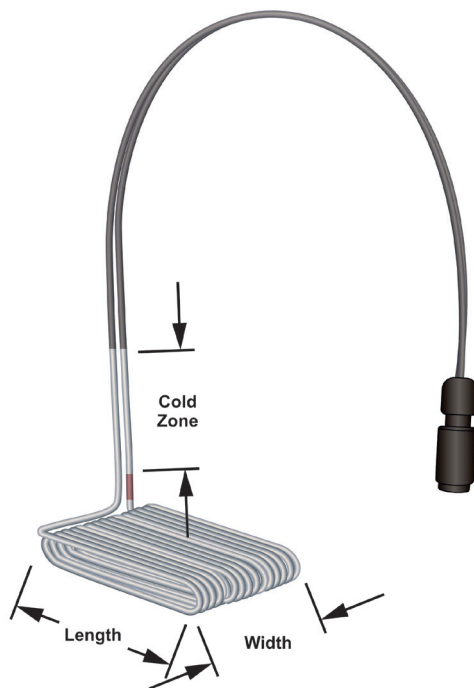
3-4 Week Lead Time for Standard & Custom Products!

ORDER CODE

IM-HXRL X X XX - XX X - XXXX - XX

SERIES	WATTAGE	VOLTAGE	WIDTH	LENGTH	RISER LOCATION	RISER OPTION	TYPE OF PROTECTOR				
HXRL - PTFE	1	1000W	Specify in inches	Specify in inches	L = Left front corner	FR = Flex riser length , specify length in inches	THERMAL PROTECTOR (Flex Riser)				
	2	2000W					2	240V	RESETTABLE FUSE		
	3	3000W					3	380V	R = Right front corner	Ex: FR48 = 48"	P3- SOLUTIONS UP TO 250°F (121°C)
	4	4000W					4	480V			THERMAL PROTECTOR (Rigid Riser)
	5	5000W					5	415V		R = Rigid riser length	REPLACEABLE FUSE
	6	6000W					6	600V			P1(std)- SOLUTIONS UP TO 190°F
WIRE & CONDUIT LENGTH		7	400V				P4- SOLUTIONS UP TO 220°F				
		8	208V				RESETTABLE FUSE				
		9	220V				P2- SOLUTIONS UP TO 190°F				
		0	200V				P8- 190°F TO 210°F				
blank - 36" TEFLON CONDUIT							P3- 210°F TO 250°F				
SPECIFY LENGTH - EX. X84 = 84" TEFLON CONDUIT	EX. IM-HXRL3414-16R-R54-P8 LOW PROFILE FLEX RISER PTFE Immersion Heater, 3kW, 480V, 14" Width, 16" Length, Right Front Corner Riser, 54" Rigid Riser, P8 Resettable fuse from 190degF to 210degF, 36" Teflon Conduit										

FLEX RISER BOTTOM PTFE HEATERS



INFORMATION

- Fluoropolymer (PTFE) heaters are an excellent choice for heating Aqueous acid, alkaline, anodizing and pickling solutions up to 212F (100 C).
- Offers thick gauge stainless steel tubular elements covered with heavy wall fluoropolymer (PTFE) reducing permeation, eliminating the need for gas purge systems. This product is an excellent choice for heating electroless chemistries – not for use in Chromic Acid.

FEAUTRES

Flexible Riser Bottom Single Phase Heater. Excellent chemical resistance to aggressive acids.

- PTFE sleeved 304 stainless elements inert to most solutions up to 212°F (100°C).
- Low watt density design 10 watts/square inch (1.5w/cm²).
- 4 foot (1.2m) continuous fluoropolymer (PTFE) cable leading to a vapor resistant terminal enclosure and 3 ft (.9m) flexible Teflon liquid tight conduit.
- Grounded internal metal element and built in thermal protector. Resettable P3 protector standard



PROTECTOR / FUSE OPTIONS

	CODE	TYPE OF FUSE	DESCRIPTION
FLEX RISER	P3	RESETTABLE	For solutions up to 250°F (121°C)
RIGID RISER	P1	REPLACEABLE	Standard for solutions up to 180°F (82°C)
	P4	REPLACEABLE	For solutions up to 230°F (110°C)
	P2	RESETTABLE	For solutions up to 190°F (88°C)
	P8	RESETTABLE	For solutions from 190°F to 210°F (88°C to 99°C)
	P3	RESETTABLE	For solutions from 210°F to 250°F (99°C to 121°C)

STANDARD PARTS					
MPI P/N	WATTS	VOLTS	Width	LENGTH	PHASE
IM-HXOL1102-11L-**	1000 W	120 V	2 "51 mm	11 "279 mm	Single
IM-HXOL1202-11L-**	1000 W	240 V	2 "51 mm	11 "279 mm	Single
IM-HXOL1104-08L-**	1000 W	120 V	4 "102 mm	8 "203 mm	Single
IM-HXOL1204-08L-**	1000 W	240 V	4 "102 mm	8 "203 mm	Single
IM-HXOL2104-13L-**	2000 W	120 V	4 "102 mm	13 "330 mm	Single
IM-HXOL2204-13L-**	2000 W	240 V	4 "102 mm	13 "330 mm	Single
IM-HXOL2404-13L-**	2000 W	480 V	4 "102 mm	13 "330 mm	Single
IM-HXOL2105-10L-**	2000 W	120 V	5 "127 mm	10 "254 mm	Single
IM-HXOL2205-10L-**	2000 W	240 V	5 "127 mm	10 "254 mm	Single
IM-HXOL2405-10L-**	2000 W	480 V	5 "127 mm	10 "254 mm	Single
IM-HXOL2106-08L-**	2000 W	120 V	6 "152 mm	8 "203 mm	Single
IM-HXOL2206-08L-**	2000 W	240 V	6 "152 mm	8 "203 mm	Single
IM-HXOL2406-08L-**	2000 W	480 V	6 "152 mm	8 "203 mm	Single
IM-HXOL3204-18L-**	3000 W	240 V	4 "102 mm	18 "457 mm	Single
IM-HXOL3404-18L-**	3000 W	480 V	4 "102 mm	18 "457 mm	Single
IM-HXOL3205-12L-**	3000 W	240 V	5 "127 mm	12 "305 mm	Single
IM-HXOL3405-12L-**	3000 W	480 V	5 "127 mm	12 "305 mm	Single
IM-HXOL3206-11L-**	3000 W	240 V	6 "152 mm	11 "279 mm	Single
IM-HXOL3406-11L-**	3000 W	480 V	6 "152 mm	11 "279 mm	Single
IM-HXOL3208-08L-**	3000 W	240 V	8 "203 mm	8 "203 mm	Single
IM-HXOL3408-08L-**	3000 W	480 V	8 "203 mm	8 "203 mm	Single
IM-HXOL4205-18L-**	4000 W	240 V	5 "127 mm	18 "457 mm	Single
IM-HXOL4405-18L-**	4000 W	480 V	5 "127 mm	18 "457 mm	Single
IM-HXOL4206-14L-**	4000 W	240 V	6 "152 mm	14 "356 mm	Single
IM-HXOL4406-14L-**	4000 W	480 V	6 "152 mm	14 "356 mm	Single
IM-HXOL4208-11L-**	4000 W	240 V	8 "203 mm	11 "279 mm	Single
IM-HXOL4408-11L-**	4000 W	480 V	8 "203 mm	11 "279 mm	Single
IM-HXOL5206-18L-**	5000 W	240 V	6 "152 mm	18 "457 mm	Single
IM-HXOL5406-18L-**	5000 W	480 V	6 "152 mm	18 "457 mm	Single
IM-HXOL5208-13L-**	5000 W	240 V	8 "203 mm	13 "330 mm	Single
IM-HXOL5408-13L-**	5000 W	480 V	8 "203 mm	13 "330 mm	Single
IM-HXOL5209-11L-**	5000 W	240 V	9 "229 mm	11 "279 mm	Single
IM-HXOL5409-11L-**	5000 W	480 V	9 "229 mm	11 "279 mm	Single

STANDARD PARTS Cont.					
IM-HXOL5210-10L_**	5000 W	240 V	10 "254 mm	10 "254 mm	Single
IM-HXOL5410-10L_**	5000 W	480 V	10 "254 mm	10 "254 mm	Single
IM-HXOL6207-18L_**	6000 W	240 V	7 "178 mm	18 "457 mm	Single
IM-HXOL6407-18L_**	6000 W	480 V	7 "178 mm	18 "457 mm	Single
IM-HXOL6208-15L_**	6000 W	240 V	8 "203 mm	15 "381 mm	Single
IM-HXOL6408-15L_**	6000 W	480 V	8 "203 mm	15 "381 mm	Single
IM-HXOL6209-13L_**	6000 W	240 V	9 "229 mm	13 "330 mm	Single
IM-HXOL6409-13L_**	6000 W	480 V	9 "229 mm	13 "330 mm	Single
IM-HXOL6210-12L_**	6000 W	240 V	10 "254 mm	12 "305 mm	Single
IM-HXOL6410-12L_**	6000 W	480 V	10 "254 mm	12 "305 mm	Single
IM-HXOL6211-11L_**	6000 W	240 V	11 "279 mm	11 "279 mm	Single
IM-HXOL6411-11L_**	6000 W	480 V	11 "279 mm	11 "279 mm	Single

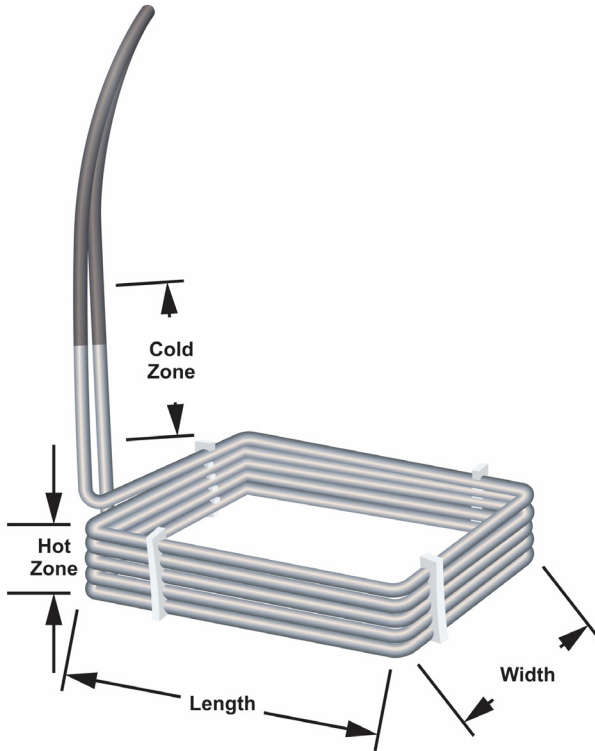
Single phase only. **Specify Protector / Fuse

3-4 Week Lead Time for Standard & Custom Products!

ORDER CODE

IM-HXOL	X	X	XX - XX	X - XX	-	XX	
SERIES	WATTAGE	VOLTAGE	WIDTH	LENGTH	RISER LOCATION	RISER OPTION	TYPE OF PROTECTOR
HXOL - PTFE	1 1000W	1 120V	Specify in inches	Specify in inches	L = Left front corner	FR = Flex riser length , specify length in inches	THERMAL PROTECTOR (Flex Riser)
	2 2000W	2 240V					RESETTABLE FUSE
	3 3000W	3 380V			R = Right front corner	Ex: FR48 = 48"	P3- SOLUTIONS UP TO 250°F (121°C)
	4 4000W	4 480V					THERMAL PROTECTOR (Rigid Riser)
	5 5000W	5 415V				R = Rigid riser length	REPLACEABLE FUSE
	6 6000W	6 600V					P1(std)- SOLUTIONS UP TO 180°F
		7 400V					P4- SOLUTIONS UP TO 230°F
		8 208V					RESETTABLE FUSE
		9 220V					P2- SOLUTIONS UP TO 190°F
		0 200V					P8- 190°F TO 210°F
							P3- 210°F TO 250°F
WIRE & CONDUIT LENGTH							
blank - 36" TEFLON CONDUIT							
SPECIFY LENGTH							
- EX. X84 = 84" TEFLON CONDUIT							
EX. IM-HXOL2106-08L-FR48-P3 FLEX RISER BOTTOM PTFE Immersion Heater, 2kW, 120V, 6" Width, 8" Length, Left Front Riser Corner Riser, 48" Flex Riser, P3 Resettable Fuse for Solutions up to 250degF, 36" Teflon Conduit							

CUSTOM FLEX RISER PTFE HEATERS



INFORMATION

- Fluoropolymer (PTFE) heaters are an excellent choice for heating Aqueous acid, alkaline, anodizing and pickling solutions up to 212F (100 C).
- Offers thick gauge stainless steel tubular elements covered with heavy wall fluoropolymer (PTFE) reducing permeation, eliminating the need for gas purge systems. This product is an excellent choice for heating electroless chemistries – not for use in Chromic Acid.

FEAUTRES

Custom Flexible Riser Single Phase Heater. Excellent chemical resistance to aggressive acids.

- PTFE sleeved 304 stainless elements inert to most solutions up to 212°F (100°C).
- Low watt density design 10 watts/square inch (1.5w/cm²).
- 4 foot (1.2m) continuous fluoropolymer (PTFE) cable leading to a vapor resistant terminal enclosure and 3 ft (.9m) flexible Teflon liquid tight conduit.
- Grounded internal metal element and built in thermal protector. Resettable P3 protector standard



PROTECTOR / FUSE OPTIONS

	CODE	TYPE OF FUSE	DESCRIPTION
FLEX RISER	P3	RESETTABLE	For solutions up to 250°F (121°C)
RIGID RISER	P1	REPLACEABLE	Standard for solutions up to 180°F (82°C)
	P4	REPLACEABLE	For solutions up to 230°F (110°C)
	P2	RESETTABLE	For solutions up to 190°F (88°C)
	P8	RESETTABLE	For solutions from 190°F to 210°F (88°C to 99°C)
	P3	RESETTABLE	For solutions from 210°F to 250°F (99°C to 121°C)

STANDARD PARTS

MPI P/N	WATTS	VOLTS	Width	LENGTH	PHASE
IM-HXSL11**_**_**	1000 W	120 V	N/A	N/A	Single
IM-HXSL12**_**_**	1000 W	240 V	N/A	N/A	Single
IM-HXSL21**_**_**	2000 W	120 V	N/A	N/A	Single
IM-HXSL22**_**_**	2000 W	240 V	N/A	N/A	Single
IM-HXSL24**_**_**	2000 W	480 V	N/A	N/A	Single
IM-HXSL32**_**_**	3000 W	240 V	N/A	N/A	Single
IM-HXSL34**_**_**	3000 W	480 V	N/A	N/A	Single
IM-HXSL42**_**_**	4000 W	240 V	N/A	N/A	Single
IM-HXSL44**_**_**	4000 W	480 V	N/A	N/A	Single
IM-HXSL52**_**_**	5000 W	240 V	N/A	N/A	Single
IM-HXSL54**_**_**	5000 W	480 V	N/A	N/A	Single
IM-HXSL62**_**_**	6000 W	240 V	N/A	N/A	Single
IM-HXSL64**_**_**	6000 W	480 V	N/A	N/A	Single

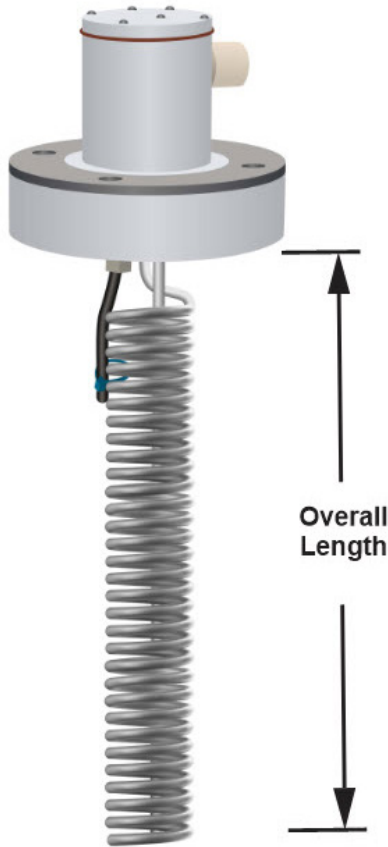
Single phase only, **_** Specify Width & Length, **Specify Protector / Fuse

3-4 Week Lead Time for Standard & Custom Products!

ORDER CODE

IM-HXSL XX X XX - XX X - XXXX - XX								
SERIES	WATTAGE	VOLTAGE	WIDTH	LENGTH	RISER LOCATION	RISER OPTION	TYPE OF PROTECTOR	
HXSL - 3 element PTFE sheathed	1	1000W	1	120V	Specify in inches	L = Left front corner	FR = Flex riser length , specify length in inches	THERMAL PROTECTOR (Flex Riser) RESETTABLE FUSE
	2	2000W	2	240V				R = Right front corner
	3	3000W	3	380V	REPLACEABLE FUSE P1(std)- SOLUTIONS UP TO 190°F P4- SOLUTIONS UP TO 220°F RESETTABLE FUSE			
	4	4000W	4	480V				
	5	5000W	5	415V				
	6	6000W	6	600V				
			7	400V				
			8	208V				
			9	220V	P2- SOLUTIONS UP TO 190°F			
		0	200V	P8- 190°F TO 210°F P3- 210°F TO 250°F				
WIRE & CONDUIT LENGTH blank - 36" TEFLON CONDUIT	EX. IM-HXSL328-9L-FR48-P3 CUSTOM FLEX RISER PTFE Immersion Heater, 3kW, 240V, 8" Width, 9" Length. Left Front Corner Riser, 48" Flex Riser Length, P3 Resettable Fuse for Solutions up to 250degF, 36" Teflon Conduit							
SPECIFY LENGTH - EX. X84 = 84" TEFLON CONDUIT								

SPIRAL PTFE FLANGED HEATERS



INFORMATION

- Fluoropolymer (PTFE) heaters are an excellent choice for heating Aqueous acid, alkaline, anodizing and pickling solutions up to 212F (100 C).
- Offers thick gauge stainless steel tubular elements covered with heavy wall fluoropolymer (PTFE) reducing permeation, eliminating the need for gas purge systems. This product is an excellent choice for heating electroless chemistries – not for use in Chromic Acid.
- **Specify P2 or P8 thermal overload protection desired. NOTE: Heater rated for 50 PSI.

FEAUTRES

- Heavy wall fluoropolymer sheath (PTFE) covered stainless steel element reduces permeation.
- Low watt density design 10 watts/square inch (1.5 w/cm²).
- Vapor resistant, flame retardant polypropylene terminal enclosure with 3 ft (.9m) flexible Teflon liquid tight conduit.
- Thermal protector built in. Resettable P2 protector standard for solutions up to 180°F(82°C).



PROTECTOR / FUSE OPTIONS

CODE	TYPE OF FUSE	DESCRIPTION
P2	RESETTABLE	For solutions up to 190°F (88°C)
P8	RESETTABLE	For solutions up to 210°F (99°C)

STANDARD PARTS

MPI P/N	WATTS	VOLTS	No of ELEMENTS	OVERALL LENGTH
IM-3FLX1111-**	1000 W	120 V	1	11 "279 mm
IM-3FLX1211-**	1000 W	240 V	1	11 "279 mm
IM-3FLX2216-**	2000 W	240V	1	16 "406 mm
IM-3FLX2416-**	2000 W	480V	1	16 "406 mm
IM-3FLX3221-**	3000 W	240V	1	21 "533 mm
IM-3FLX3421-**	3000 W	480V	1	21 "533 mm
IM-3FLX4228-**	4000 W	240V	1	28 "711 mm
IM-3FLX4428-**	4000 W	480V	1	28 "711 mm
IM-3FLX5232-**	5000 W	240V	1	32 "813 mm
IM-3FLX5432-**	5000 W	480V	1	32 "813 mm
IM-3FLX6235-**	6000 W	240V	1	35 "889 mm
IM-3FLX6435-**	6000 W	480V	1	35 "889 mm
IM-6FLX3211-**	3000 W	240 V	3	11 "279 mm
IM-6FLX3411-**	3000 W	480 V	3	11 "279 mm
IM-6FLX6216-**	6000 W	240 V	3	16 "406 mm
IM-6FLX6416-**	6000 W	480 V	3	16 "406 mm
IM-6FLX9221-**	9000 W	240 V	3	21 "533 mm
IM-6FLX9421-**	9000 W	480 V	3	21 "533 mm
IM-6FLX12228-**	12,000 W	240 V	3	28 "711 mm
IM-6FLX12428-**	12,000 W	480 V	3	28 "711 mm
IM-6FLX15232-**	15000 W	240 V	3	32 "813 mm
IM-6FLX15432-**	15000 W	480 V	3	32 "813 mm
IM-6FLX18235-**	18,000 W	240 V	3	35 "889 mm
IM-6FLX18435-**	18,000 W	480 V	3	35 "889 mm

**Specify Protector / Fuse

3-4 Week Lead Time for Standard & Custom Products!

ORDER CODE

IM-X	FLX	XX	X	XX	-	XX		
FLANGE SIZE	SERIES	WATTAGE	VOLTAGE	OVERALL LENGTH(in)		PHASE	TYPE OF PROTECTOR	WIRE & CONDUIT LENGTH
				3FLX	6FLX		ADDITIONAL CONTROL COMPONENT REQUIRED	
3 = 3"	FLX = PTFE	1 1000W	1 120V	11 1kW	3kW	No Designator = Single Phase (std for 3FL)		blank - 36" TEFLON CONDUIT
6 = 6"		2 2000W	2 240V	16 2kW	6kW			
		3 3000W	3 380V	21 3kW	9kW		P2- SOLUTIONS UP TO 190°F	SPECIFY LENGTH - EX. X84 = 84" TEFLON CONDUIT
		4 4000W	4 480V	28 4kW	12kW	No Designator = three Phase (std for 6FL)	P8- SOLUTIONS UP TO 210°F	
		5 5000W	5 415V	32 5kW	15kW			
		6 6000W	6 600V	35 6kW	18kW			
		9 9000W	7 400V			1 = Single Phase(6FL only)		
		12 12000W	8 208V					
		15 15000W	9 220V					
	18 18000W	0 200V						