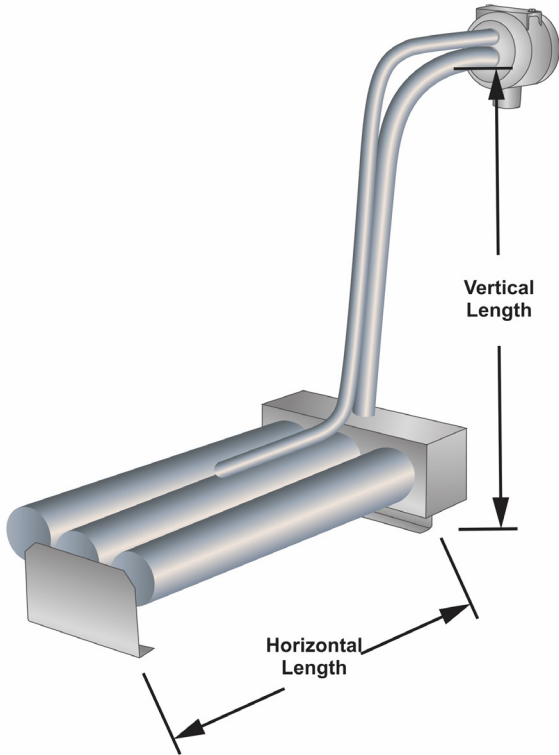


TRIPLE L-SHAPED HEATER



INFORMATION

- Durable and efficient chemical heater
- Bottom style, L-shaped design
- Heavy wall metal sheaths available in steel, 304 stainless steel, 316 stainless steel, and titanium (check with chemical supplier for proper material selection)
- Three phase
- 3000-36000 watts, 240-480 volts

FEAUTRES

- Heavy wall metal sheaths available in steel, 304 stainless steel, 316 stainless steel, and titanium
- Watt densities of up to 35 watts/square inch (5.4 w/cm²)
- Vapor resistant and flame retardant terminal enclosure made of polypropylene, with 3 ft (.9m) flexible teflon liquid tight conduit
- Grounded construction and built-in thermal protector
- Replaceable P1 protector standard for solutions up to 180°F(82°C)



PROTECTOR / FUSE OPTIONS

CODE	TYPE OF FUSE	DESCRIPTION
P1	REPLACEABLE	Standard for solutions up to 180°F (82°C)
P4	REPLACEABLE	For solutions from 180 to 230°F (82 to 110°C)
P5	REPLACEABLE	For solutions from 230 to 300°F (110 to 150°C)
P2	RESETTABLE	For solutions up to 180°F (82°C)
P6	RESETTABLE	For solutions from 180 to 230°F (82 to 110°C)
P7	RESETTABLE	For solutions from 230 to 300°F (110 to 150°C)

STANDARD PARTS

STEEL	304SS	316SS	TITANIUM	WATTS	VOLTS	HORIZONTAL LENGTH	VERTICAL LENGTH
IM-3LP3213-R**	IM-3LF3213-R**	IM-3LS3213-R**	IM-3LT3213-R**	3000 W	240 V	13 "330 mm	15 "381 mm
IM-3LP3413-R**	IM-3LF3413-R**	IM-3LS3413-R**	IM-3LT3413-R**	3000 W	480 V	13 "330 mm	15 "381 mm
IM-3LP6217-R**	IM-3LF6217-R**	IM-3LS6217-R**	IM-3LT6217-R**	6000 W	240 V	17 "432 mm	37 "940 mm
IM-3LP6417-R**	IM-3LF6417-R**	IM-3LS6417-R**	IM-3LT6417-R**	6000 W	480 V	17 "432 mm	37 "940 mm
IM-3LP9222-R**	IM-3LF9222-R**	IM-3LS9222-R**	IM-3LT9222-R**	9000 W	240 V	22 "559 mm	37 "940 mm
IM-3LP9422-R**	IM-3LF9422-R**	IM-3LS9422-R**	IM-3LT9422-R**	9000 W	480 V	22 "559 mm	37 "940 mm
IM-3LP12226-R**	IM-3LF12226-R**	IM-3LS12226-R**	IM-3LT12226-R**	12,000 W	240 V	26 "660 mm	37 "940 mm
IM-3LP12426-R**	IM-3LF12426-R**	IM-3LS12426-R**	IM-3LT12426-R**	12,000 W	480 V	26 "660 mm	37 "940 mm
IM-3LP15231-R**	IM-3LF15231-R**	IM-3LS15231-R**	IM-3LT15231-R**	15,000 W	240 V	31 "787 mm	37 "940 mm
IM-3LP15431-R**	IM-3LF15431-R**	IM-3LS15431-R**	IM-3LT15431-R**	15,000 W	480 V	31 "787 mm	37 "940 mm
IM-3LP18236-R**	IM-3LF18236-R**	IM-3LS18236-R**	IM-3LT18236-R**	18,000 W	240 V	36 "914 mm	50 "1270 mm
IM-3LP18436-R**	IM-3LF18436-R**	IM-3LS18436-R**	IM-3LT18436-R**	18,000 W	480 V	36 "914 mm	50 "1270 mm
IM-3LP24244-R**	IM-3LF24244-R**	IM-3LS24244-R**	IM-3LT24244-R**	24,000 W	240 V	44 "1118 mm	50 "1270 mm
IM-3LP24444-R**	IM-3LF24444-R**	IM-3LS24444-R**	IM-3LT24444-R**	24,000 W	480 V	44 "1118 mm	50 "1270 mm
IM-3LP27450-R**	IM-3LF27450-R**	IM-3LS27450-R**	IM-3LT27450-R**	27000 W	480 V	50 "1270 mm	50 "1270 mm
IM-3LP30455-R**	IM-3LF30455-R**	IM-3LS30455-R**	IM-3LT30455-R**	30,000 W	480 V	55 "1397 mm	50 "1270 mm
IM-3LP36464-R**	IM-3LF36464-R**	IM-3LS36464-R**	IM-3LT36464-R**	36,000 W	480 V	64 "1626 mm	50 "1270 mm

*3 phase standard, single phase available. * Specify Vertical Length. **Specify Protector / Fuse

3-4 Week Lead Time for Standard & Custom Products!

ORDER CODE

IM-3XX	XX	X	XX	-	XXX	-	
SERIES	WATTAGE	VOLTAGE	HORIZONTAL LENGTH (in)	VERTICAL LENGTH (in)	RISER OPTION	PHASE	
3LP Steel	3 3000W	1 120V	13 3kW	R15 3kW	Blank = 90° Horizontal Bend (std)	Blank = Three Phase (Std)	
3LF 304 stainless steel	6 6000W	2 240V	17 6kW	R37 6kW	S= Straight Riser	-1 = single phase	
3LS 316 stainless steel	9 9000W	3 380V	22 9kW	R37 9kW			
3LT Titanium	12 12000W	4 480V	26 12kW	R37 12kW			
	15 15000W	5 415V	31 15kW	R37 15kW	XX		
	18 18000W	6 600V	36 18kW	R50 18kW	TYPE OF PROTECTOR	WIRE & CONDUIT LENGTH	
	24 24000W	7 400V	44 24kW	R50 24kW	REPLACEABLE FUSE	blank - 36" TEFLON CONDUIT	
	27 27000W	8 208V	50 27kW	R50 27kW	P1 (std)- SOLUTIONS UP TO 180°F		
	30 30000W	9 220V	55 30kW	R50 30kW	P4 - SOLUTIONS UP TO 230°F	SPECIFY LENGTH - EX. X84 = 84" TEFLON CONDUIT	
	36 36000W	0 200V	64 36kW	R50 36kW	P5 - SOLUTIONS UP TO 300°F		
					RESETTABLE FUSE		
					P2 - SOLUTIONS UP TO 180°F		
					P6 - SOLUTIONS UP TO 230°F		
					P7 - SOLUTIONS UP TO 300°F		

EX. IM-3LT15431-R37-S-P1 TRIPLE L-SHAPED Titanium Immersion Heater, 15kW, 480V, 3PH, 31" Horizontal Length, 37" Vertical Length, Straight Riser, P1 Replaceable Fuse for Solutions up to 180degF, 36" Teflon Conduit